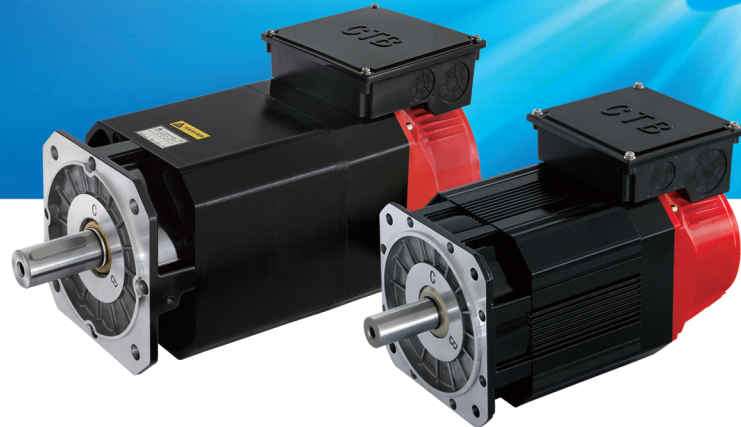




CTB AC servo spindle motor

(1.1~315kW)



北京超同步科技有限公司
BEIJING CTB TECHNOLOGY CO.,LTD.

2013.11.18

CTB AC servo spindle motor

Surpass selfhood
keep pace with the world

CTB series servo spindle motor is new type of AC spindle induction servo motor with independent research, design, production and marches for international market, which has been reached international leading level.

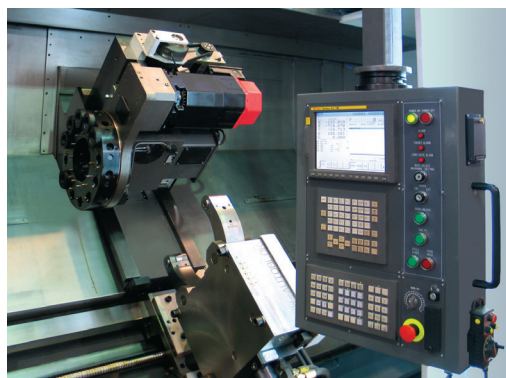
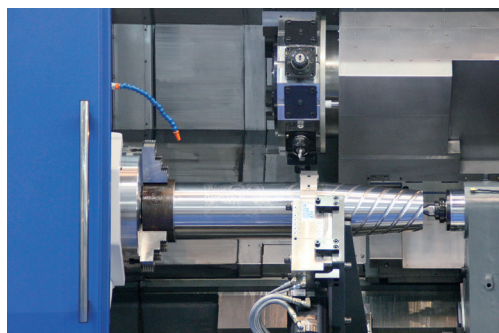
CTB series servo spindle motor has a compact structure, superior function, good shape and high efficiency, widely used in various fields of machinery manufacturing with very good cost performance.

The design and production of CTB series servo spindle motor meet some related standards, such as ISO, IEL,GB.

CTB series servo spindle motor can reach GB 18613-2012 standard grade 2 energy efficiency level. IE grade 3 energy efficiency level in IEC60034-30 standard.

The latest patent design

- ◆ Good shape
- ◆ High efficiency
- ◆ Compact structure
- ◆ Enclosed cooling air duct
- ◆ Low noise
- ◆ Optimize the design of the energy-saving



Applying industry

- ◆ CNC lathe, turning -milling composite machine tool, vertical lathe, Heavy duty horizontal lathe
- ◆ CNC milling machine, vertical working center, horizontal working center
- ◆ CNC boring lathe, double housing planer, planer type milling machine
- ◆ CNC grinding machine, vertical milling machine, floor type boring and milling machine
- ◆ Drilling and tapping center, engraving and milling machine, gear hobbing machine, gear shaping machine, gear milling machine

Standard spindle control function


- ◆ High torque cutting at low speed
- ◆ Constant power cutting with high speed
- ◆ Zero speed spindle lock
- ◆ Accurate stop control
- ◆ C-axis function
- ◆ Rigid tapping

Series specification and standard

- ◆ Power range: 1.1-315kw (50HZ)
- ◆ Pole number: 4 pole
- ◆ Max running speed: 15000r/m
- ◆ Encoder: internal (incremental encoder rotary transformer, sin-cos encoder, absolute encoder)
- ◆ Cooling method: force-air cooling
- ◆ Working system: continuous (S1)
- ◆ Installation structure type: B3/B5/B35 (according to IEC60034-7 standard)



- ◆ noise: $\leq 70\text{dB(A)}$
- ◆ protection class: IP55 (IEC60034-5)
- ◆ insulation and voltage resistance: AC1800V
- ◆ Insulation class: F class
- ◆ vibration class: S
- ◆ environment temperature: $-15\sim 45^{\circ}\text{C}$
- ◆ environment temperature: below 95%RH (Non-condensate)



SPINDLE MOTOR


TYPE: CTB-47P5ZGB15-60H5GB CODE: 12364


kW	V	A	Hz	r/min	cosΦ
7.5	380	16.2	52.1	1500	0.85

Nmax: 8000r/min Ins F IP55 S1 Y

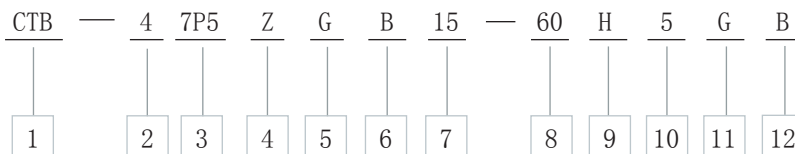
Encoder: CE9-2500-OL 117Kg NO.CM13100024

Beijing CTB Technology CO.,LTD



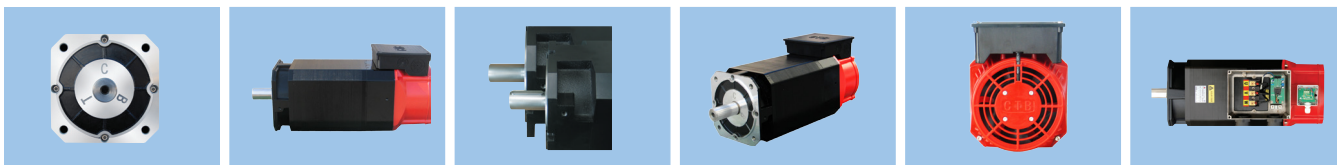


◆ Type demonstration (7.5kw spindle motor for example)



Type demonstration

Model	Name	Description	Catalog Number Explanation
1	Plant code	CTB: CTB plant motor code	CTB company product
2	Voltage class	2:200V 4:400V	400V
3	Power code	See standard specification table	7.5kW
4	Motor type code	Z: spindle motor	spindle motor
5	Encoder code	Code: encoder type B: no encoder G: incremental encoder 1024P、2500P、6000P、8192P R: rotary transformer 1024P、12bit S: Sin-cos encoder 2048P A: absolute value encoder 13bit、17bit、21bit	Built-in incremental encoder
6	Motor base code	Motor base flange size(length x width)mm A: 180×180 CP: 265×265 AP: 165×165 D: 300×300 B: 204×204 E: 380×380 BP: 204×204 F: 470×470 C: 250×250 G: 620×620	B motor base
7	Basic rotate speed code	Code rotate speed r/min 05: 500 45: 4500 07: 750 60: 6000 10: 1000 80: 8000 15: 1500 90: 9000	Basic rotate speed:1500r/min
8	Constant power Highest rotate speed code	20: 2000 A0: 10000 30: 3000 A2: 12000 40: 4000 A5: 15000	Constant power Highest rotate speed:6000 r/min
9	Max rotate speed code	Code rotate speed r/min L: 3000 HF: 10000 (A B motor base) M: 6000 F: 12000 (A B motor base) H: 8000 FF: 15000 (A B motor base)	Highest rotate speed: 8000 r/min
10	Installation method code	Code: Installation method 3: horizontally-mounted 5: flanged mounting 35: horizontally-flanged mounting	flanged mounting
11	Shaft extension structure code	G: optical axis J: key slot	Optical axis
12	Brake optional item	B: have brake	Have brake



CTB AC servo spindle motor

Motor base model: A1
shape size 180X180X375mm

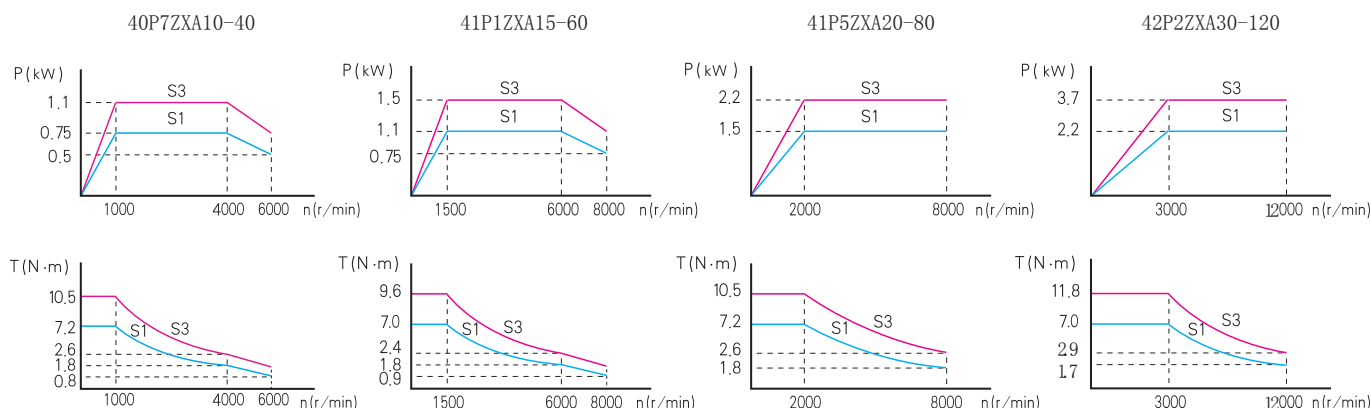


Electricity parameter

Voltage class: 400V connecting method: Y Fan power:30W Fan voltage:380V

Motor model	Rated power (kW)	Rated current (A)	Rated torque (N·m)	Rated voltage (V)	Pole number (P)	Rated frequency (Hz)	Rated rotate speed (r/min)	Constant power Highest rotate speed (r/min)	Highest rotate speed (r/min)	Rotational inertia (kg·m ²)
CTB-40P7ZXA10-XXX	0.75	1.8/1.9/1.9	7.2	380/375/370	4	35.5	1000	2000/3000/4000	6000	0.0058
CTB-41P1ZXA15-XXX	1.1	2.4/2.5/2.6	7.0	380/375/370	4	52.1	1500	3000/4500/6000	8000	0.0058
CTB-41P5ZXA20-XXX	1.5	3.3/3.3/3.5	7.2	380/375/360	4	68.9	2000	4000/6000/8000	10000	0.0058
CTB-42P2ZXA30-XXX	2.2	4.6/4.6/4.8	7.0	380/375/370	4	102.3	3000	6000/9000/12000	15000	0.0058

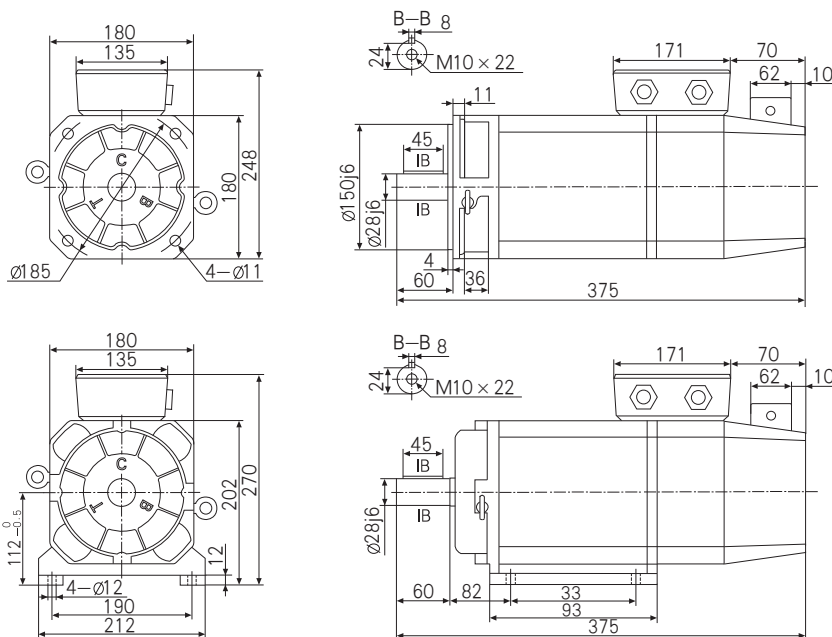
Characteristic curve



Performance index

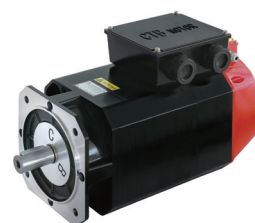
Name	Index
Encoder (Can choose)	CE9-1024 (incremental)
	CE9-2500 (incremental)
	CE9-17B (Absolute value)
	RZ12-1024 (rotating transformer)
	SC-2048 (Sin-Cos)
Shaft extension structure	G:optical axis J:key slot
Installation method	B3 B5 B35
Brake	Torque 30N·m
Weight /gross weight	25 (32)kg
Protection class	IP55
Insulation class	F class
Rated temperature rise	90 K
Vibration class	S
Noise	≤70dB (A)
Temperature	-15~45°C
Environment humidity	≤95%RH

Shape and installation size



CTB AC servo spindle motor

Motor base model: A2
shape size 180X180X385mm

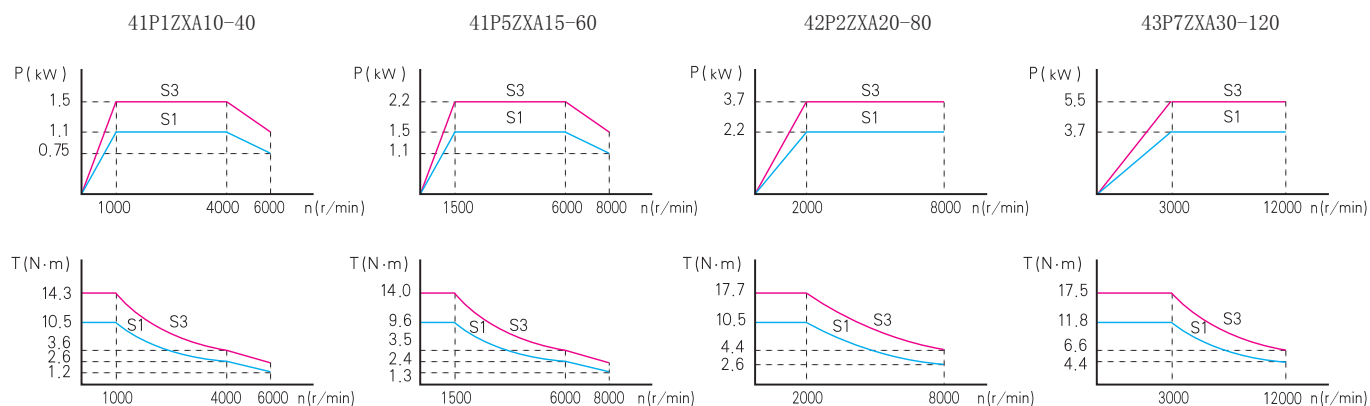


Electricity parameter

Voltage class: 400V connecting method: Y Fan power:30W Fan voltage:380V

Motor model	Rated power (kW)	Rated current (A)	Rated torque (N·m)	Rated voltage (V)	Pole number (P)	Rated frequency (Hz)	Rated rotate speed (r/min)	Constant power Highest rotate speed (r/min)	Highest rotate speed (r/min)	Rotational inertia (kg·m ²)
CTB-41P1ZXA10-XXX	1.1	2.6/2.6/2.8	10.5	380/375/350	4	35.8	1000	2000/3000/4000	6000	0.0066
CTB-41P5ZXA15-XXX	1.5	3.3/3.3/3.5	9.6	380/370/365	4	52.2	1500	3000/4500/6000	8000	0.0066
CTB-42P2ZXA20-XXX	2.2	4.6/4.7/5.1	10.5	380/375/350	4	69.2	2000	4000/6000/8000	10000	0.0066
CTB-43P7ZXA30-XXX	3.7	7.5/7.7/8.1	11.8	380/370/360	4	102.9	3000	6000/9000/12000	15000	0.0066

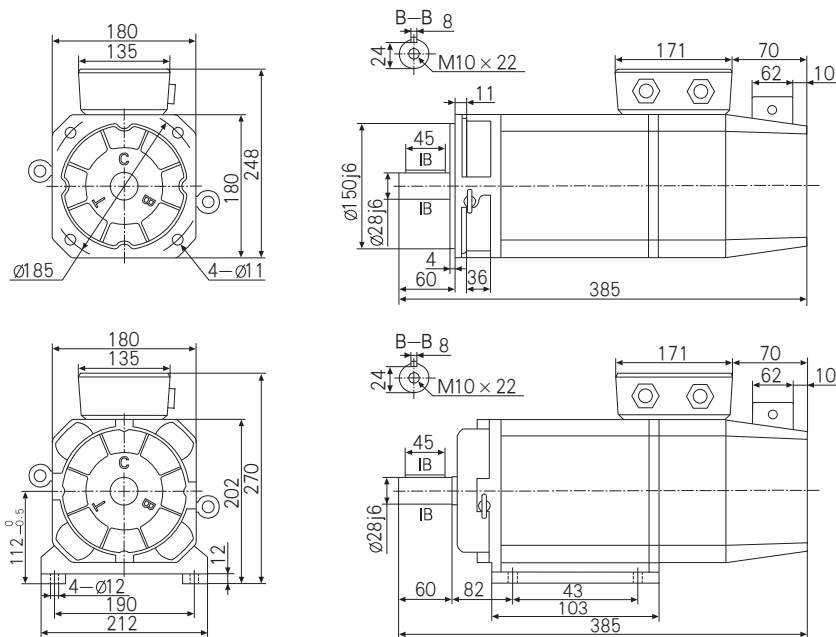
Characteristic curve



Performance index

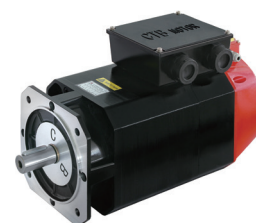
Name	Index
Encoder (Can choose)	CE9-1024 (incremental)
	CE9-2500 (incremental)
	CE9-17B (Absolute value)
	RZ12-1024 (rotating transformer)
	SC-2048 (Sin-Cos)
Shaft extension structure	G:optical axis
	J:key slot
Installation method	B3 B5 B35
Brake	Torque 30N·m
Weight /gross weight	30(37)kg
Protection class	IP55
Insulation class	F class
Rated temperature rise	90 K
Vibration class	S
Noise	≤70dB(A)
Temperature	-15~45℃
Environment humidity	≤95%RH

Shape and installation size



CTB AC servo spindle motor

Motor base model: A3
shape size 180X180X410mm

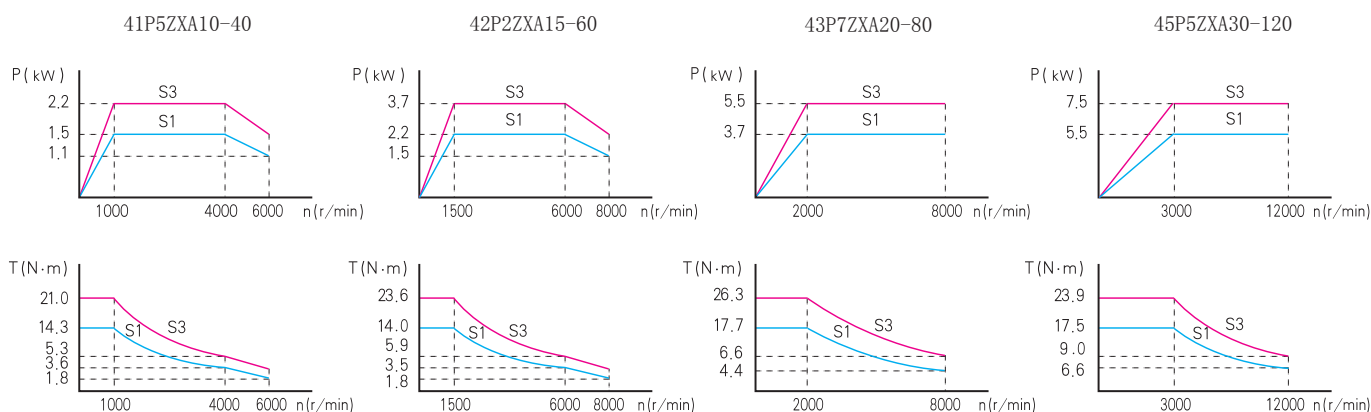


Electricity parameter

Voltage class: 400V connecting method: Y Fan power:30W Fan voltage:380V

Motor model	Rated power (kW)	Rated current (A)	Rated torque (N·m)	Rated voltage (V)	Pole number (P)	Rated frequency (Hz)	Rated rotate speed (r/vmin)	Constant power Highest rotate speed (r/min)	Highest rotate speed (r/min)	Rotational inertia (kg·m ²)
CTB-41P5ZXA10-XXX	1.5	3.4/3.4/3.7	14.3	380/375/350	4	35.7	1000	2000/3000/4000	6000	0.0078
CTB-42P2ZXA15-XXX	2.2	4.6/4.7/5.2	14.0	380/375/350	4	52.3	1500	3000/4500/6000	8000	0.0078
CTB-43P7ZXA20-XXX	3.7	7.6/8.1/9.0	17.7	380/360/320	4	69.9	2000	4000/6000/8000	10000	0.0078
CTB-45P5ZXA30-XXX	5.5	11.1/11.2/12.3	17.5	380/375/345	4	102.7	3000	6000/9000/12000	15000	0.0078

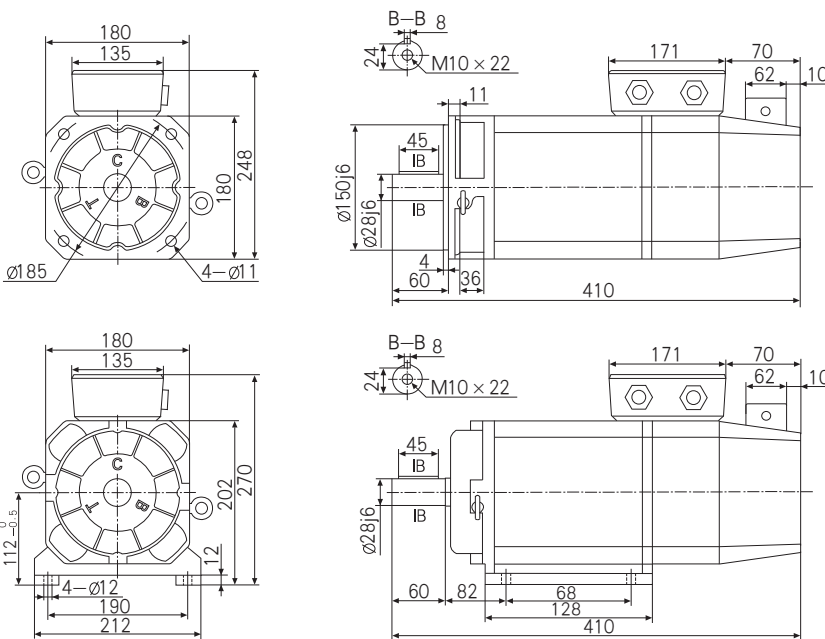
Characteristic curve



Performance index

Name	Index
Encoder (Can choose)	CE9-1024 (incremental)
	CE9-2500 (incremental)
	CE9-17B (Absolute value)
	RZ12-1024 (rotating transformer)
	SC-2048 (Sin-Cos)
Shaft extension structure	G:optical axis
	J:key slot
Installation method	B3 B5 B35
Brake	Torque 30N·m
Weight /gross weight	37 (44)kg
Protection class	IP55
Insulation class	F class
Rated temperature rise	90 K
Vibration class	S
Noise	≤70dB(A)
Temperature	-15~45°C
Environment humidity	≤95%RH

Shape and installation size



CTB AC servo spindle motor

Motor base model: A4
shape size 180X180X460mm

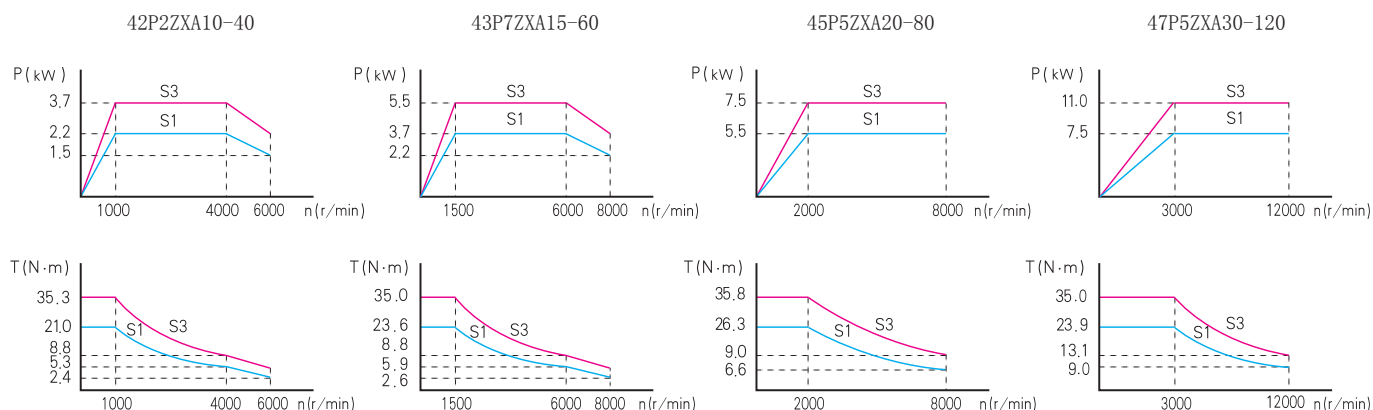


Electricity parameter

Voltage class: 400V connecting method: Y Fan power:30W Fan voltage:380V

Motor model	Rated power (kW)	Rated current (A)	Rated torque (N·m)	Rated voltage (V)	Pole number (P)	Rated frequency (Hz)	Rated rotate speed (r/min)	Constant power Highest rotate speed (r/min)	Highest rotate speed (r/min)	Rotational inertia (kg·m ²)
CTB-42P2ZXA10-XXX	2.2	4.9/4.9/5.2	21.0	380/375/360	4	35.6	1000	2000/3000/4000	6000	0.0108
CTB-43P7ZXA15-XXX	3.7	7.7/7.9/8.7	23.6	380/370/340	4	52.5	1500	3000/4500/6000	8000	0.0108
CTB-45P5ZXA20-XXX	5.5	11.1/11.8/13.2	26.3	380/360/320	4	69.5	2000	4000/6000/8000	10000	0.0108
CTB-47P5ZXA30-XXX	7.5	14.9/15.0/16.1	23.9	380/375/350	4	102.6	3000	6000/9000/12000	15000	0.0108

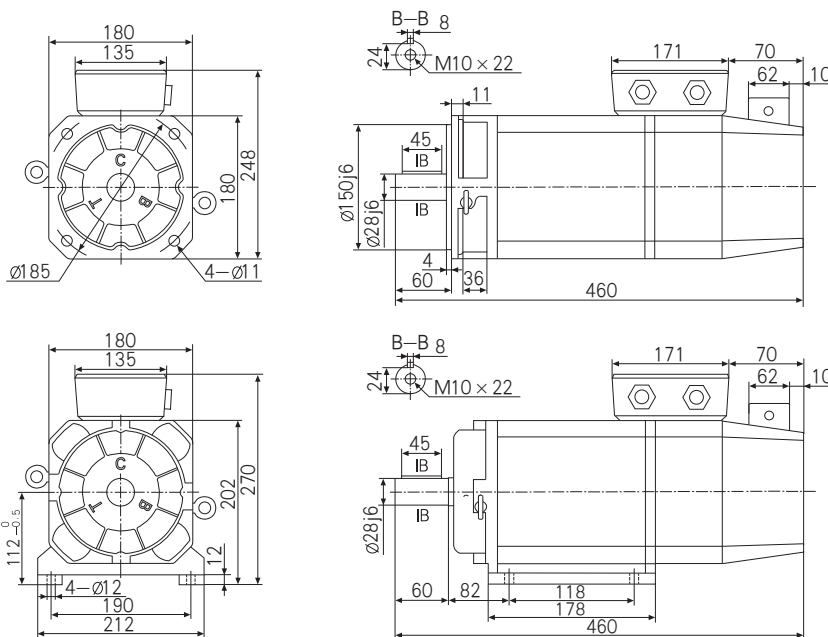
Characteristic curve



Performance index

Name	Index
Encoder (Can choose)	CE9-1024 (incremental)
	CE9-2500 (incremental)
	CE9-17B (Absolute value)
	RZ12-1024 (rotating transformer)
	SC-2048 (Sin-Cos)
Shaft extension structure	G:optical axis J:key slot
Installation method	B3 B5 B35
Brake	Torque 30N·m
Weight /gross weight	44(51)kg
Protection class	IP55
Insulation class	F class
Rated temperature rise	90 K
Vibration class	S
Noise	≤70dB(A)
Temperature	-15~45°C
Environment humidity	≤95%RH

Shape and installation size



CTB AC servo spindle motor

Motor base model: AP1
shape size 165X165X330mm

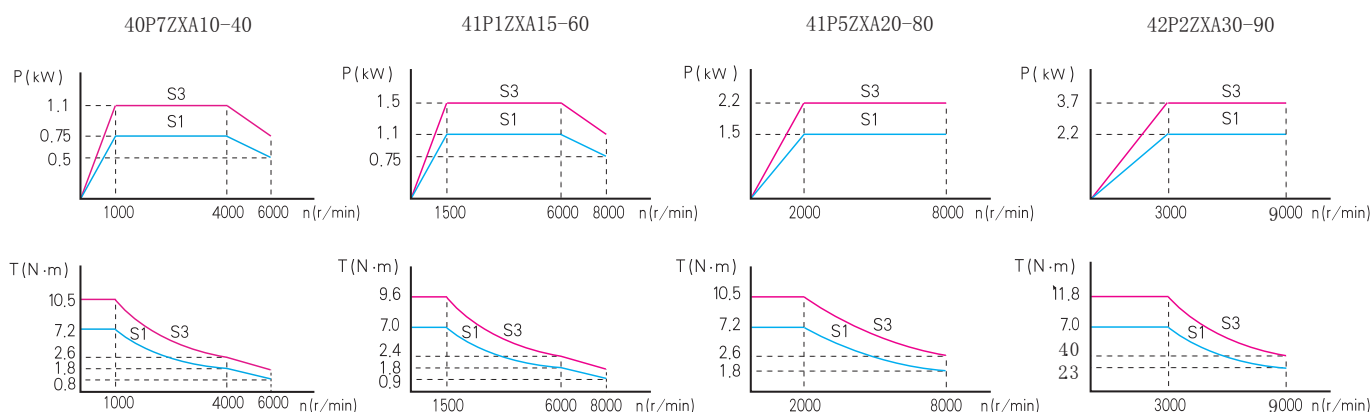


Electricity parameter

Voltage class: 400V connecting method: Y Fan power:30W Fan voltage:380V

Motor model	Rated power (kW)	Rated current (A)	Rated torque (N·m)	Rated voltage (V)	Pole number (P)	Rated frequency (Hz)	Rated rotate speed (r/vmin)	Constant power Highest rotate speed (r/min)	Highest rotate speed (r/min)	Rotational inertia (kg·m ²)
CTB-40P7ZXA10-XXXP	0.75	2.0/2.1/2.3	7.2	380/350/330	4	36.7	1000	2000/3000/4000	6000	0.0058
CTB-41P1ZXA15-XXXP	1.1	2.6/2.8/3.1	7.0	380/355/320	4	53.2	1500	3000/4500/6000	8000	0.0058
CTB-41P5ZXA20-XXXP	1.5	3.4/3.6/4.0	7.2	380/360/325	4	69.8	2000	4000/6000/8000	8000	0.0058
CTB-42P2ZXA30-XXXP	2.2	4.8/5.0	7.0	380/355	4	103.5	3000	6000/9000	10000	0.0058

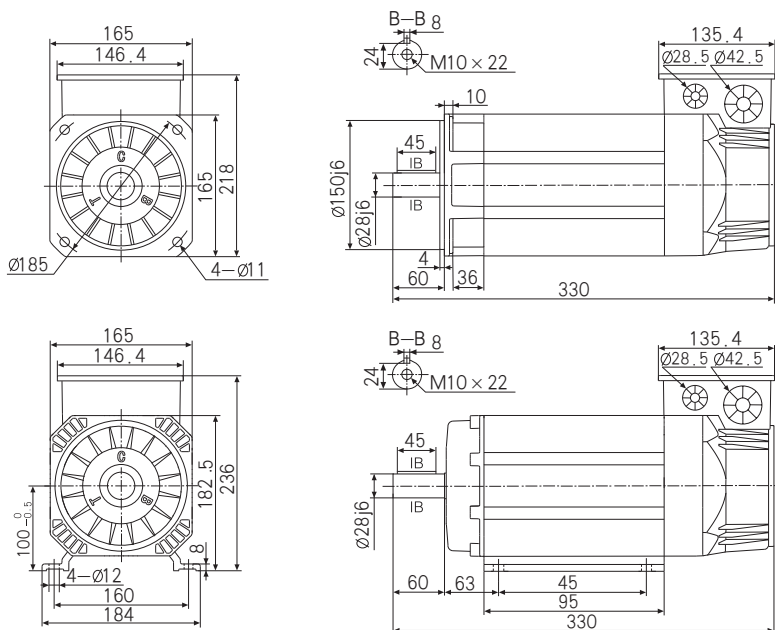
Characteristic curve



Performance index

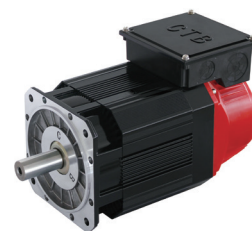
Name	Index
Encoder (Can choose)	CE9-1024(incremental)
	CE9-2500(incremental)
	CE9-17B(Absolute value)
	RZ12-1024(rotating transformer)
	SC-2048(Sin-Cos)
Shaft extension structure	G:optical axis J:key slot
Installation method	B3 B5 B35
Weight /gross weight	14(21)kg
Protection class	IP55
Insulation class	F class
Rated temperature rise	90 K
Vibration class	S
Noise	≤70dB(A)
Temperature	-15~45°C
Environment humidity	≤95%RH

Shape and installation size



CTB AC servo spindle motor

Motor base model: AP2
shape size 165X165X350mm

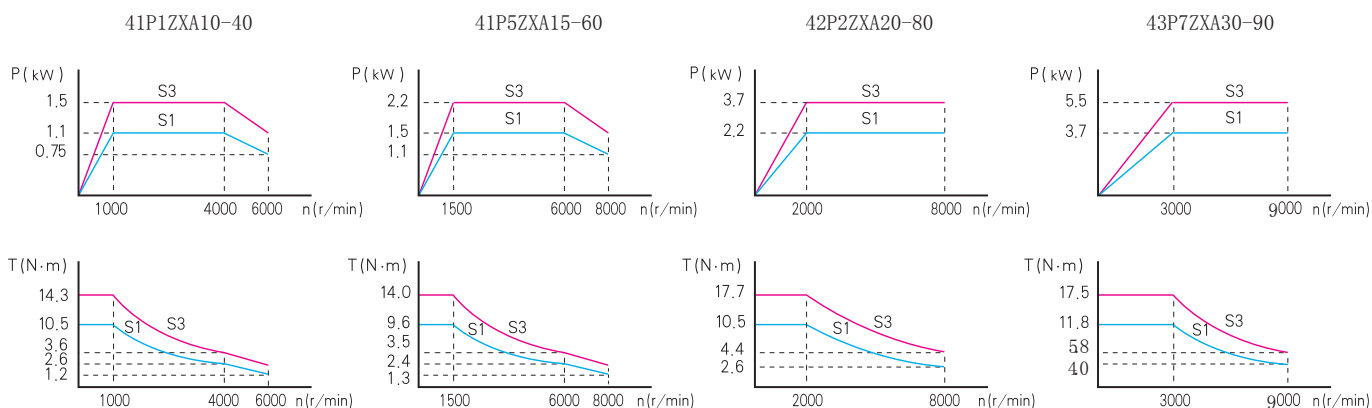


Electricity parameter

Voltage class: 400V connecting method: Y Fan power:30W Fan voltage:380V

Motor model	Rated power (kW)	Rated current (A)	Rated torque (N·m)	Rated voltage (V)	Pole number (P)	Rated frequency (Hz)	Rated rotate speed (r/vmin)	Constant power Highest rotate speed (r/min)	Highest rotate speed (r/min)	Rotational inertia (kg. m ²)
CTB-41P1ZXA10-XXXP	1.1	2.7/2.9/3.2	10.5	380/360/325	4	36.5	1000	2000/3000/4000	6000	0.0066
CTB-41P5ZXA15-XXXP	1.5	3.4/3.5/3.8	9.6	380/370/340	4	52.7	1500	3000/4500/6000	8000	0.0066
CTB-42P2ZXA20-XXXP	2.2	4.8/5.0/5.7	10.5	380/365/320	4	69.7	2000	4000/6000/8000	8000	0.0066
CTB-43P7ZXA30-XXXP	3.7	7.8/8.0	11.8	380/370	4	103.1	3000	6000/9000	10000	0.0066

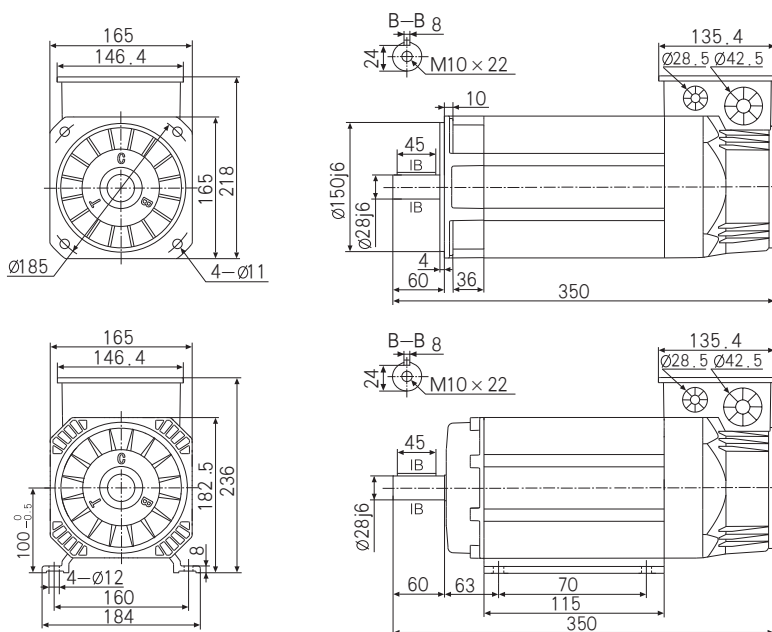
Characteristic curve



Performance index

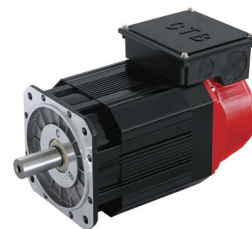
Name	Index
Encoder (Can choose)	CE9-1024 (incremental)
	CE9-2500 (incremental)
	CE9-17B (Absolute value)
	RZ12-1024 (rotating transformer)
	SC-2048 (Sin-Cos)
Shaft extension structure	G:optical axis
	J:key slot
Installation method	B3 B5 B35
Weight /gross weight	16 (23)kg
Protection class	IP55
Insulation class	F class
Rated temperature rise	90 K
Vibration class	S
Noise	≤70dB (A)
Temperature	-15~45°C
Environment humidity	≤95%RH

Shape and installation size



CTB AC servo spindle motor

Motor base model: AP3
shape size 165X165X385mm

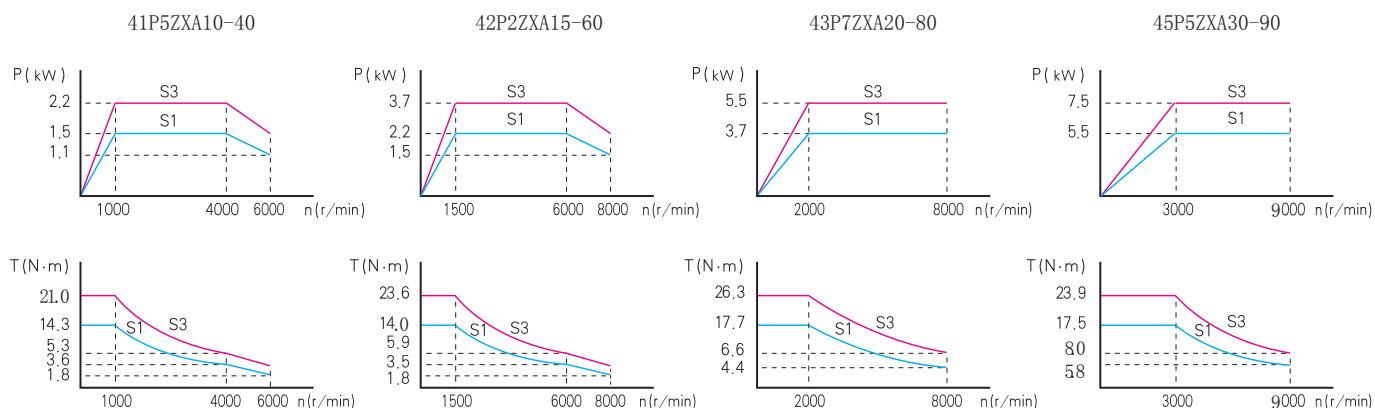


Electricity parameter

Voltage class: 400V connecting method: Y Fan power:30W Fan voltage:380V

Motor model	Rated power (kW)	Rated current (A)	Rated torque (N·m)	Rated voltage (V)	Pole number (P)	Rated frequency (Hz)	Rated rotate speed (r/vmin)	Constant power Highest rotate speed (r/min)	Highest rotate speed (r/min)	Rotational inertia (kg. m ²)
CTB-41P5ZXA10-XXXP	1.5	3.5/3.6/3.8	14.3	380/375/350	4	35.8	1000	2000/3000/4000	6000	0.0078
CTB-42P2ZXA15-XXXP	2.2	4.9/4.9/5.3	14.0	380/375/350	4	52.4	1500	3000/4500/6000	8000	0.0078
CTB-43P7ZXA20-XXXP	3.7	7.8/8.1/9.1	17.7	380/365/330	4	69.5	2000	4000/6000/8000	8000	0.0078
CTB-45P5ZXA30-XXXP	5.5	11.3/11.4	17.5	380/375	4	102.9	3000	6000/9000	10000	0.0078

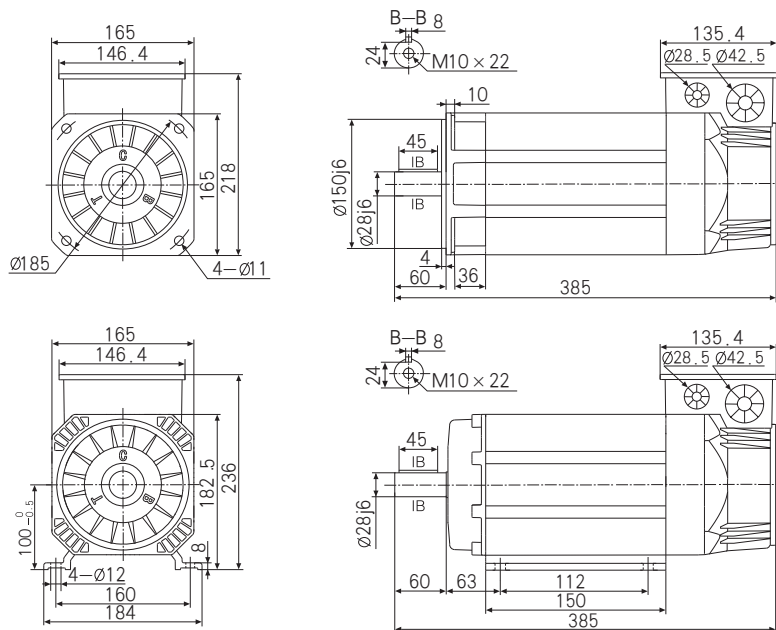
Characteristic curve



Performance index

Name	Index
Encoder (Can choose)	CE9-1024 (incremental)
	CE9-2500 (incremental)
	CE9-17B (Absolute value)
	RZ12-1024 (rotating transformer)
	SC-2048 (Sin-Cos)
Shaft extension structure	G:optical axis
	J:key slot
Installation method	B3 B5 B35
Weight /gross weight	22 (29)kg
Protection class	IP55
Insulation class	F class
Rated temperature rise	90 K
Vibration class	S
Noise	≤70dB (A)
Temperature	-15~45°C
Environment humidity	≤95%RH

Shape and installation size



CTB AC servo spindle motor

Motor base model: AP4
shape size 165X165X440mm

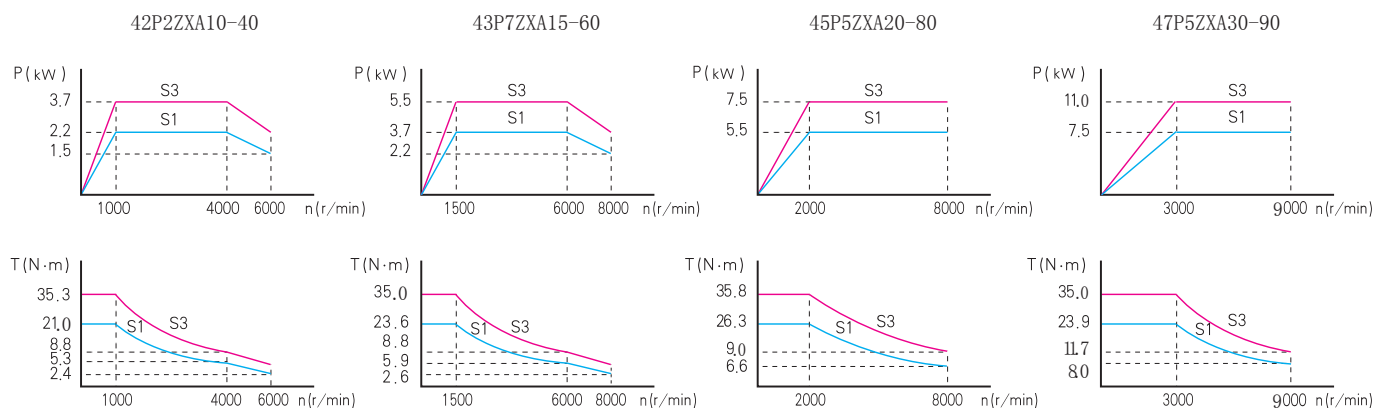


Electricity parameter

Voltage class: 400V connecting method: Y Fan power:30W Fan voltage:380V

Motor model	Rated power (kW)	Rated current (A)	Rated torque (N·m)	Rated voltage (V)	Pole number (P)	Rated frequency (Hz)	Rated rotate speed(r/vmin)	Constant power Highest rotate speed(r/min)	Highest rotate speed(r/min)	Rotational inertia (kg. m ²)
CTB-42P2ZXA10-XXXP	2.2	5.0/5.0/5.3	21.0	380/375/360	4	35.6	1000	2000/3000/4000	6000	0.0108
CTB-43P7ZXA15-XXXP	3.7	7.8/7.9/8.8	23.6	380/375/345	4	52.5	1500	3000/4500/6000	8000	0.0108
CTB-45P5ZXA20-XXXP	5.5	11.2/11.7/13.1	26.3	380/370/330	4	69.4	2000	4000/6000/8000	8000	0.0108
CTB-47P5ZXA30-XXXP	7.5	14.9/15.1	23.9	380/375	4	102.8	3000	6000/9000	10000	0.0108

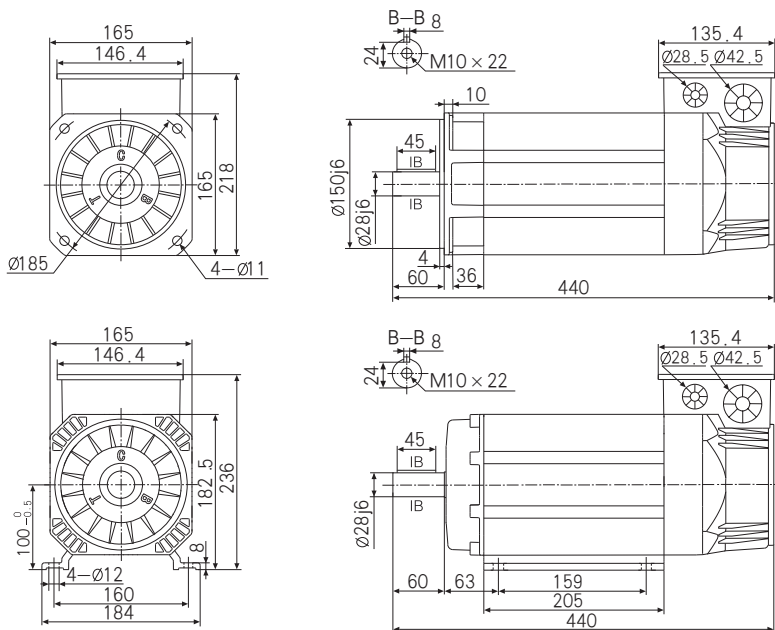
Characteristic curve



Performance index

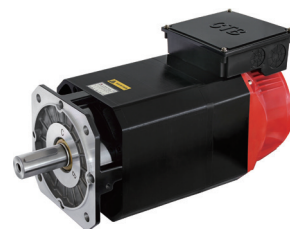
Name	Index
Encoder (Can choose)	CE9-1024(incremental)
	CE9-2500(incremental)
	CE9-17B(Absolute value)
	RZ12-1024(rotating transformer)
	SC-2048(Sin-Cos)
Shaft extension structure	G:optical axis
	J:key slot
Installation method	B3 B5 B35
Weight /gross weight	30 (37)kg
Protection class	IP55
Insulation class	F class
Rated temperature rise	90 K
Vibration class	S
Noise	≤70dB(A)
Temperature	-15~45℃
Environment humidity	≤95%RH

Shape and installation size



CTB AC servo spindle motor

Motor base model: B1
shape size 204X204X465mm

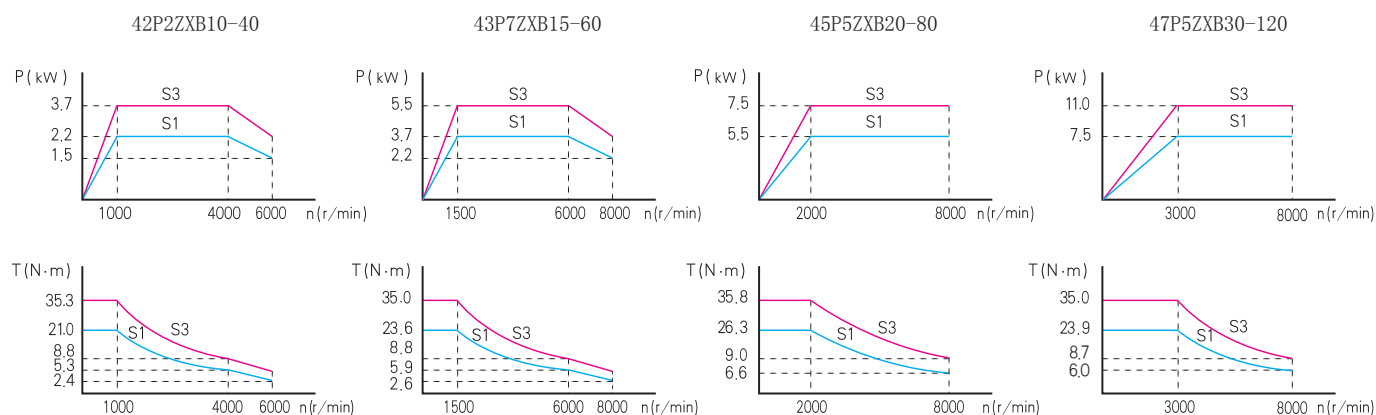


Electricity parameter

Voltage class: 400V connecting method: Y Fan power:75W Fan voltage:380V

Motor model	Rated power (kW)	Rated current (A)	Rated torque (N·m)	Rated voltage (V)	Pole number (P)	Rated frequency (Hz)	Rated rotate speed (r/vmin)	Constant power Highest rotate speed (r/min)	Highest rotate speed (r/min)	Rotational inertia (kg·m ²)
CTB-42P2ZXB10-XXX	2.2	4.7/5.0/5.4	21.0	380/360/330	4	35.4	1000	2000/3000/4000	6000	0.0134
CTB-43P7ZXB15-XXX	3.7	7.6/8.3/9.0	23.6	380/350/325	4	52.1	1500	3000/4500/6000	8000	0.0134
CTB-45P5ZXB20-XXX	5.5	10.9/12.0/13.6	26.3	380/350/310	4	69.3	2000	4000/6000/8000	8000	0.0134
CTB-47P5ZXB30-XXX	7.5	14.6/15.8/17.2	23.9	380/350/325	4	102.5	3000	6000/9000/12000	12000	0.0134

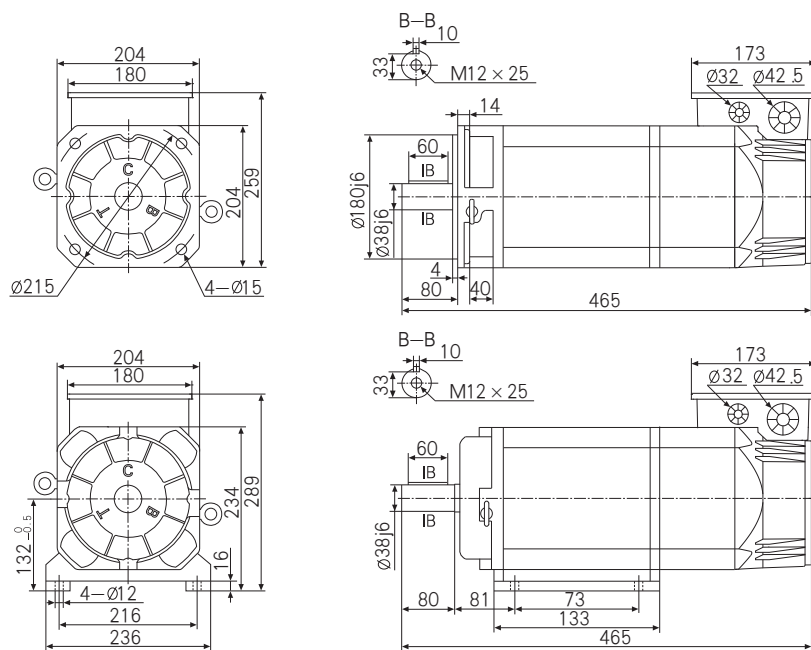
Characteristic curve



Performance index

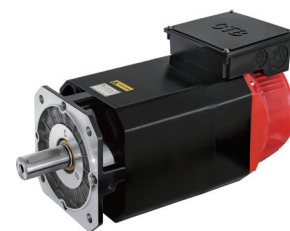
Name	Index
Encoder (Can choose)	CE9-1024 (incremental)
	CE9-2500 (incremental)
	CE9-17B (Absolute value)
	RZ12-1024 (rotating transformer)
	SC-2048 (Sin-Cos)
Shaft extension structure	G:optical axis
	J:key slot
Installation method	B3 B5 B35
Brake	Torque 50N·m
Weight /gross weight	45(52)kg
Protection class	IP55
Insulation class	F class
Rated temperature rise	90 K
Vibration class	S
Noise	≤70dB (A)
Temperature	-15~45°C
Environment humidity	≤95%RH

Shape and installation size



CTB AC servo spindle motor

Motor base model: B2
shape size 204X204X520mm

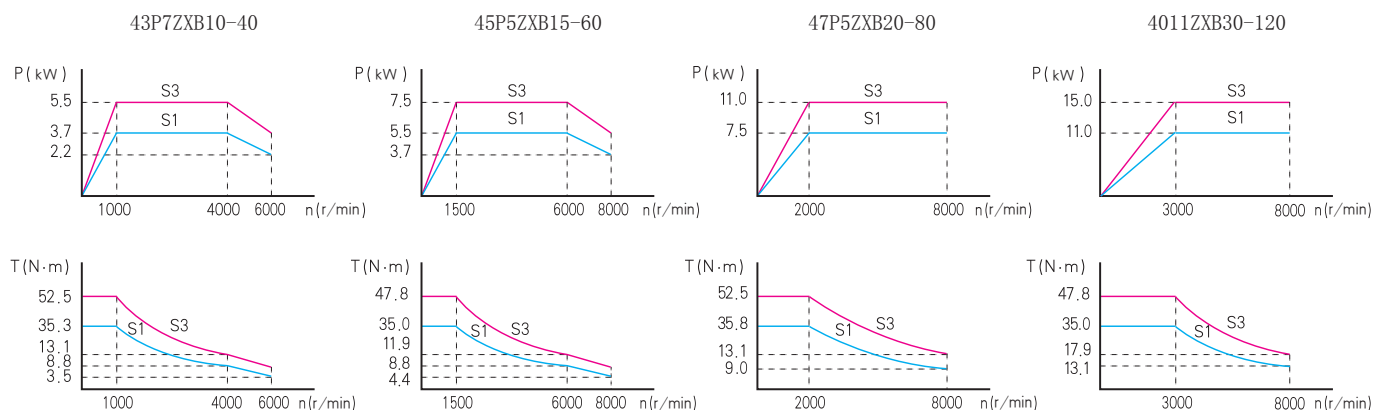


Electricity parameter

Voltage class: 400V connecting method: Y Fan power:75W Fan voltage:380V

Motor model	Rated power (kW)	Rated current (A)	Rated torque (N·m)	Rated voltage (V)	Pole number (P)	Rated frequency (Hz)	Rated rotate speed (r/vmin)	Constant power Highest rotate speed (r/min)	Highest rotate speed (r/min)	Rotational inertia (kg. m ²)
CTB-43P7ZXB10-XXX	3.7	7.7/8.3/9.1	35.3	380/355/320	4	35.5	1000	2000/3000/4000	6000	0.0186
CTB-45P5ZXB15-XXX	5.5	11.0/11.9/12.9	35.0	380/355/330	4	51.9	1500	3000/4500/6000	8000	0.0186
CTB-47P5ZXB20-XXX	7.5	14.6/15.5/17.0	35.8	380/360/330	4	68.8	2000	4000/6000/8000	8000	0.0186
CTB-4011ZXB30-XXX	11	21.2/22.8/24.8	35.0	380/355/330	4	102.0	3000	6000/9000/12000	12000	0.0186

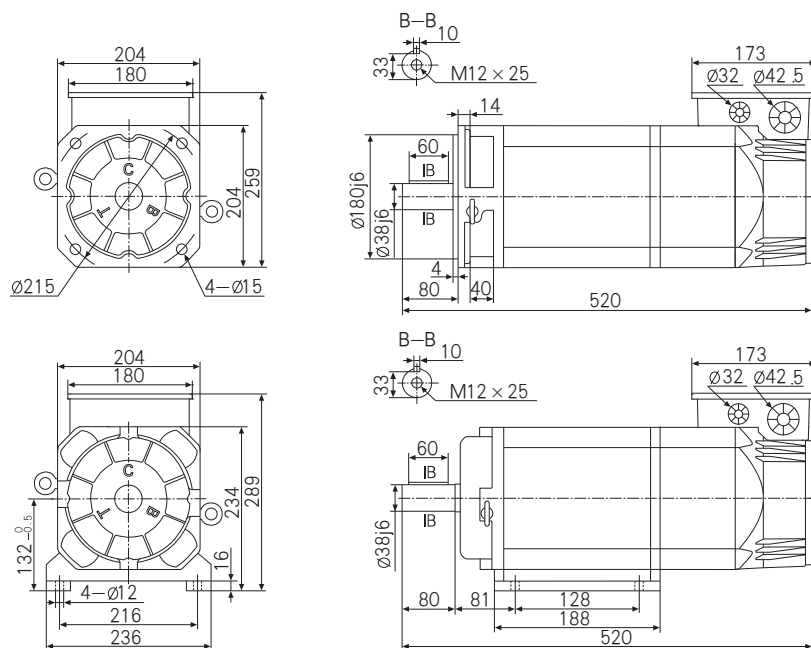
Characteristic curve



Performance index

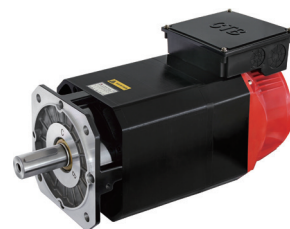
Name	Index
Encoder (Can choose)	CE9-1024 (incremental)
	CE9-2500 (incremental)
	CE9-17B (Absolute value)
	RZ12-1024 (rotating transformer)
	SC-2048 (Sin-Cos)
Shaft extension structure	G:optical axis
	J:key slot
Installation method	B3 B5 B35
Brake	Torque 50N·m
Weight /gross weight	59 (66)kg
Protection class	IP55
Insulation class	F class
Rated temperature rise	90 K
Vibration class	S
Noise	≤70dB(A)
Temperature	-15~45℃
Environment humidity	≤95%RH

Shape and installation size



CTB AC servo spindle motor

Motor base model: B3
shape size 204X204X570mm

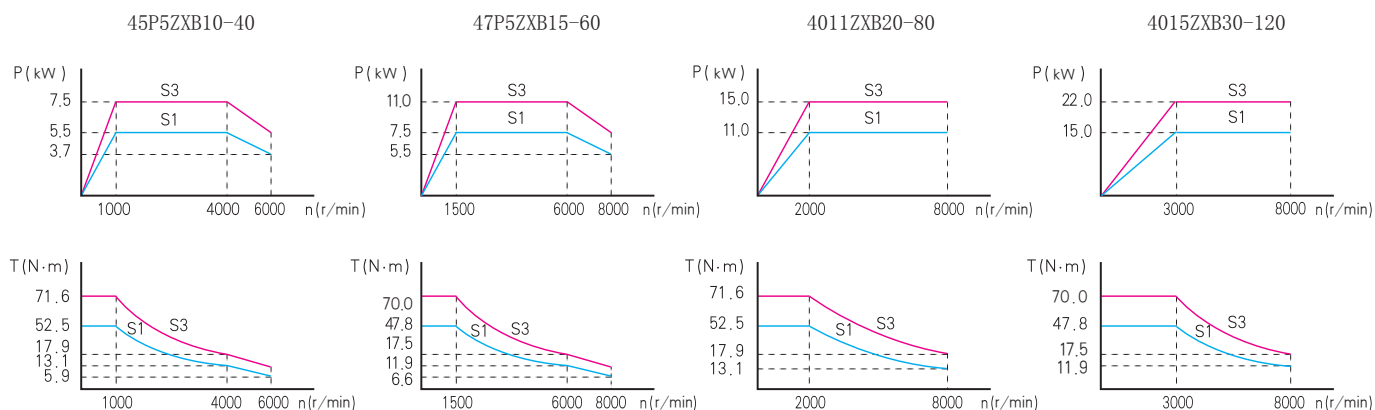


Electricity parameter

Voltage class: 400V connecting method: Y Fan power:75W Fan voltage:380V

Motor model	Rated power (kW)	Rated current (A)	Rated torque (N·m)	Rated voltage (V)	Pole number (P)	Rated frequency (Hz)	Rated rotate speed (r/vmin)	Constant power Highest rotate speed (r/min)	Highest rotate speed (r/min)	Rotational inertia (kg·m ²)
CTB-45P5ZXB10-XXX	5.5	11.3/12.3/13.9	52.5	380/350/310	4	35.6	1000	2000/3000/4000	6000	0.0233
CTB-47P5ZXB15-XXX	7.5	15.0/16.2/17.2	47.8	380/350/330	4	52.1	1500	3000/4500/6000	8000	0.0233
CTB-4011ZXB20-XXX	11	21.4/23.3/24.9	52.5	380/350/330	4	68.8	2000	4000/6000/8000	8000	0.0233
CTB-4015ZXB30-XXX	15	28.8/31.8/36.0	47.8	380/350/310	4	102.0	3000	6000/9000/12000	12000	0.0233

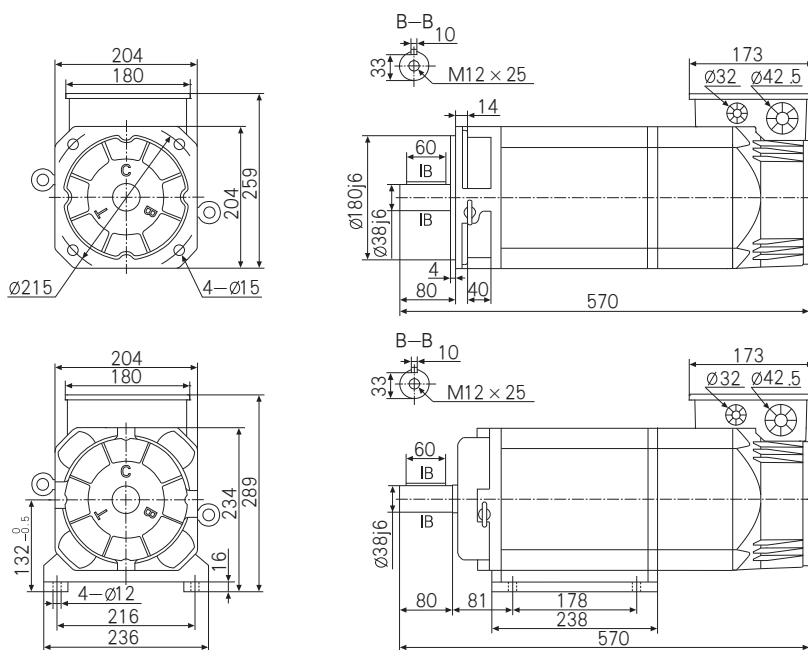
Characteristic curve



Performance index

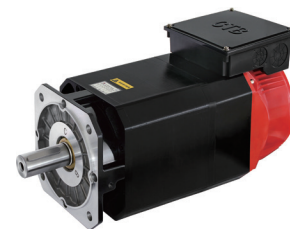
Name	Index
Encoder (Can choose)	CE9-1024 (incremental)
	CE9-2500 (incremental)
	CE9-17B (Absolute value)
	RZ12-1024 (rotating transformer)
	SC-2048 (Sin-Cos)
Shaft extension structure	G:optical axis
	J:key slot
Installation method	B3 B5 B35
Brake	Torque 50N·m
Weight /gross weight	71 (79) kg
Protection class	IP55
Insulation class	F class
Rated temperature rise	90 K
Vibration class	S
Noise	≤70dB(A)
Temperature	-15~45°C
Environment humidity	≤95%RH

Shape and installation size



CTB AC servo spindle motor

Motor base model: B4
shape size 204X204X600mm

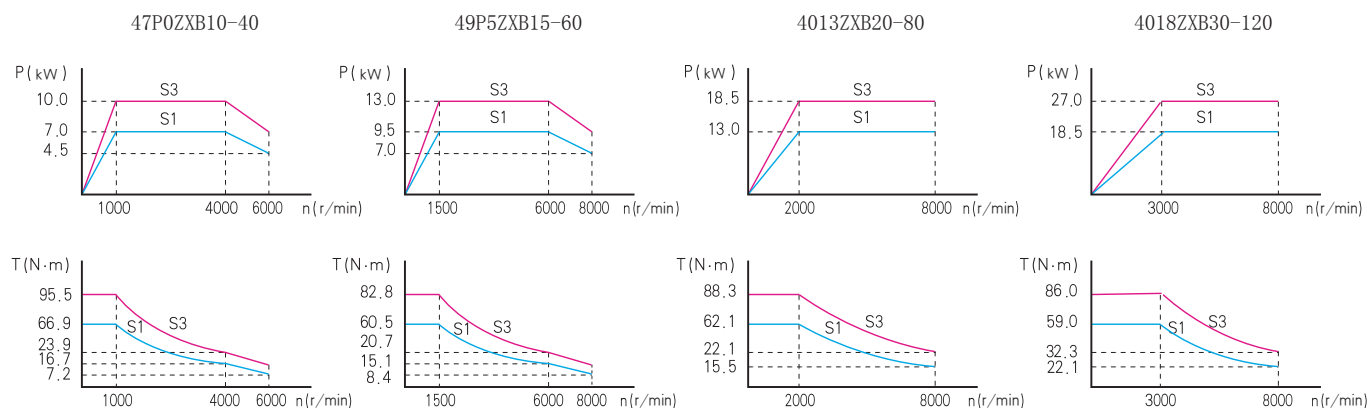


Electricity parameter

Voltage class: 400V connecting method: Y Fan power:75W Fan voltage:380V

Motor model	Rated power (kW)	Rated current (A)	Rated torque (N·m)	Rated voltage (V)	Pole number (P)	Rated frequency (Hz)	Rated rotate speed (r/vmin)	Constant power Highest rotate speed (r/min)	Highest rotate speed (r/min)	Rotational inertia (kg·m ²)
CTB-47P0ZXB10-XXX	7.0	14.4/15.9/17.7	66.9	380/345/310	4	35.7	1000	2000/3000/4000	6000	0.0261
CTB-49P5ZXB15-XXX	9.5	18.7/20.4/23.1	60.5	380/350/310	4	52.2	1500	3000/4500/6000	8000	0.0261
CTB-40I3ZXB20-XXX	13	25.4/28.3/31.2	62.1	380/340/310	4	68.8	2000	4000/6000/8000	8000	0.0261
CTB-40I8ZXB30-XXX	18.5	35.1/38.7/44.3	59.0	380/350/310	4	102.0	3000	6000/9000/12000	12000	0.0261

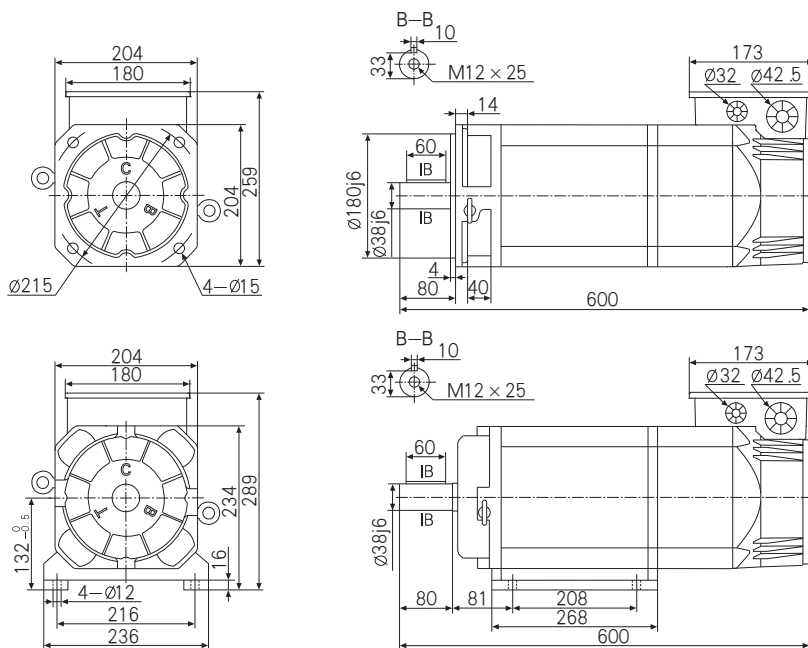
Characteristic curve



Performance index

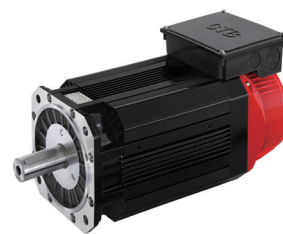
Name	Index
Encoder (Can choose)	CE9-1024(incremental)
	CE9-2500(incremental)
	CE9-17B(Absolute value)
	RZ12-1024(rotating transformer)
	SC-2048(Sin-Cos)
Shaft extension structure	G:optical axis
	J:key slot
Installation method	B3 B5 B35
Brake	Torque 50N·m
Weight /gross weight	84 (94)kg
Protection class	IP55
Insulation class	F class
Rated temperature rise	90 K
Vibration class	S
Noise	≤70dB(A)
Temperature	-15~45°C
Environment humidity	≤95%RH

Shape and installation size



CTB AC servo spindle motor

Motor base model: BP1
shape size 204X204X440mm

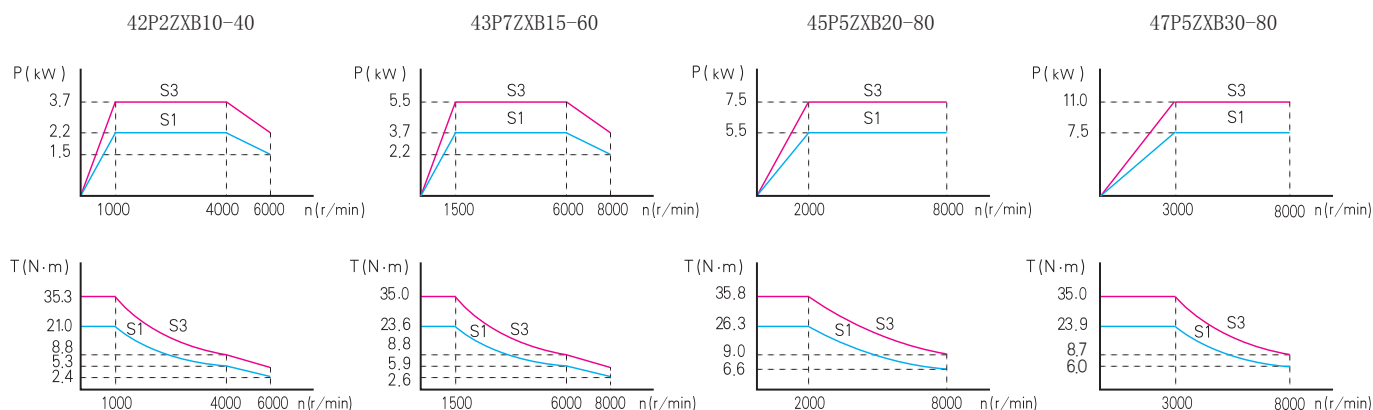


Electricity parameter

Voltage class: 400V connecting method: Y Fan power:75W Fan voltage:380V

Motor model	Rated power (kW)	Rated current (A)	Rated torque (N·m)	Rated voltage (V)	Pole number (P)	Rated frequency (Hz)	Rated rotate speed (r/vmin)	Constant power Highest rotate speed (r/min)	Highest rotate speed (r/min)	Rotational inertia (kg·m ²)
CTB-42P2ZXB10-XXXXP	2.2	5.1/5.3/6.0	21.0	380/350/310	4	35.8	1000	2000/3000/4000	6000	0.0134
CTB-43P7ZXB15-XXXXP	3.7	7.9/9.0/9.9	23.6	380/330/300	4	52.6	1500	3000/4500/6000	8000	0.0134
CTB-45P5ZXB20-XXXXP	5.5	11.5/13.3/14.5	26.3	380/330/300	4	69.3	2000	4000/6000/8000	8000	0.0134
CTB-47P5ZXB30-XXXXP	7.5	14.9/17.3	23.9	380/330	4	102.6	3000	6000/8000	8000	0.0134

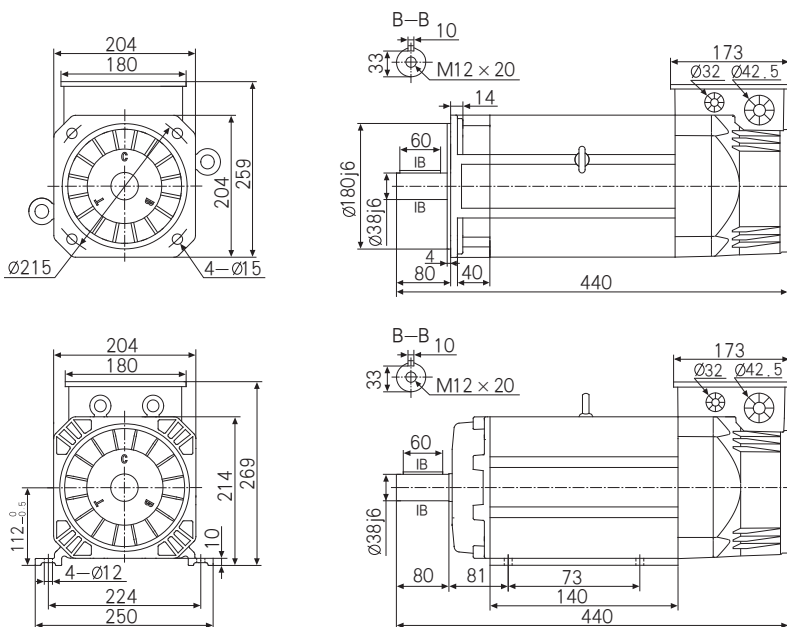
Characteristic curve



Performance index

Name	Index
Encoder (Can choose)	CE9-1024 (incremental)
	CE9-2500 (incremental)
	CE9-17B (Absolute value)
	RZ12-1024 (rotating transformer)
	SC-2048 (Sin-Cos)
Shaft extension structure	G:optical axis
	J:key slot
Installation method	B3 B5 B35
Weight /gross weight	45 (52)kg
Protection class	IP55
Insulation class	F class
Rated temperature rise	90 K
Vibration class	S
Noise	≤70dB (A)
Temperature	-15~45°C
Environment humidity	≤95%RH

Shape and installation size



CTB AC servo spindle motor

Motor base model: BP2
shape size 204X204X485mm

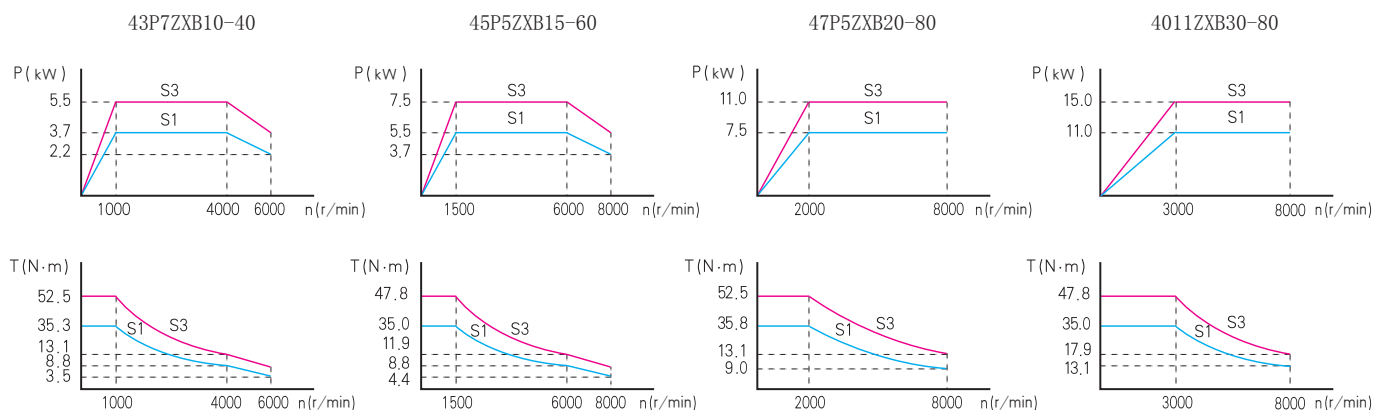


Electricity parameter

Voltage class: 400V connecting method: Y Fan power:75W Fan voltage:380V

Motor model	Rated power (kW)	Rated current (A)	Rated torque (N·m)	Rated voltage (V)	Pole number (P)	Rated frequency (Hz)	Rated rotate speed (r/vmin)	Constant power Highest rotate speed (r/min)	Highest rotate speed (r/min)	Rotational inertia (kg. m ²)
CTB-43P7ZXB10-XXXP	3.7	7.9/8.8/9.9	35.3	380/345/305	4	35.7	1000	2000/3000/4000	6000	0.0186
CTB-45P5ZXB15-XXXP	5.5	11.2/12.3/14.0	35.0	380/350/305	4	52.3	1500	3000/4500/6000	8000	0.0186
CTB-47P5ZXB20-XXXP	7.5	15.0/16.6/18.8	35.8	380/345/305	4	69.0	2000	4000/6000/8000	8000	0.0186
CTB-4011ZXB30-XXXP	11	21.4/23.2	35.0	380/350	4	102.5	3000	6000/8000	8000	0.0186

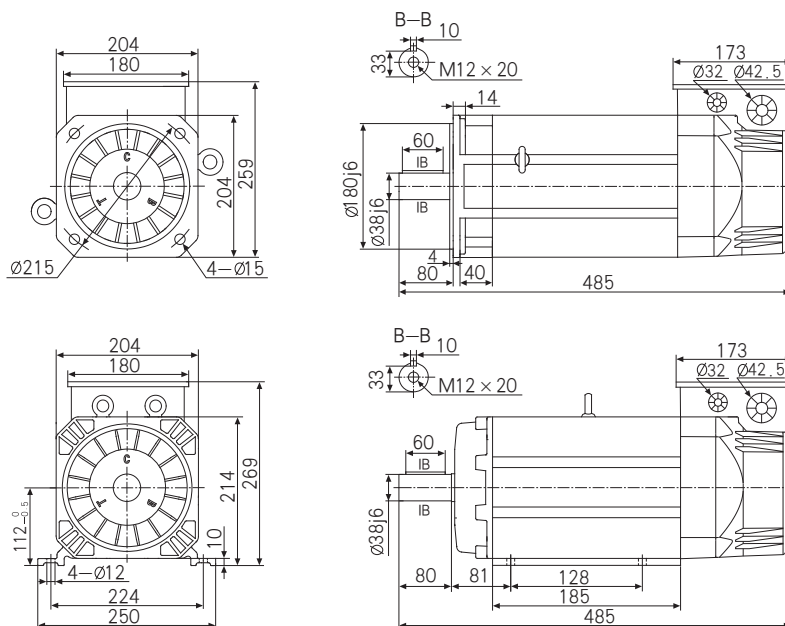
Characteristic curve



Performance index

Name	Index
Encoder (Can choose)	CE9-1024 (incremental)
	CE9-2500 (incremental)
	CE9-17B (Absolute value)
	RZ12-1024 (rotating transformer)
	SC-2048 (Sin-Cos)
Shaft extension structure	G: optical axis
	J: key slot
Installation method	B3 B5 B35
Weight /gross weight	59 (66) kg
Protection class	IP55
Insulation class	F class
Rated temperature rise	90 K
Vibration class	S
Noise	≤70dB (A)
Temperature	-15~45°C
Environment humidity	≤95%RH

Shape and installation size



CTB AC servo spindle motor

Motor base model: BP3
shape size 204X204X535mm

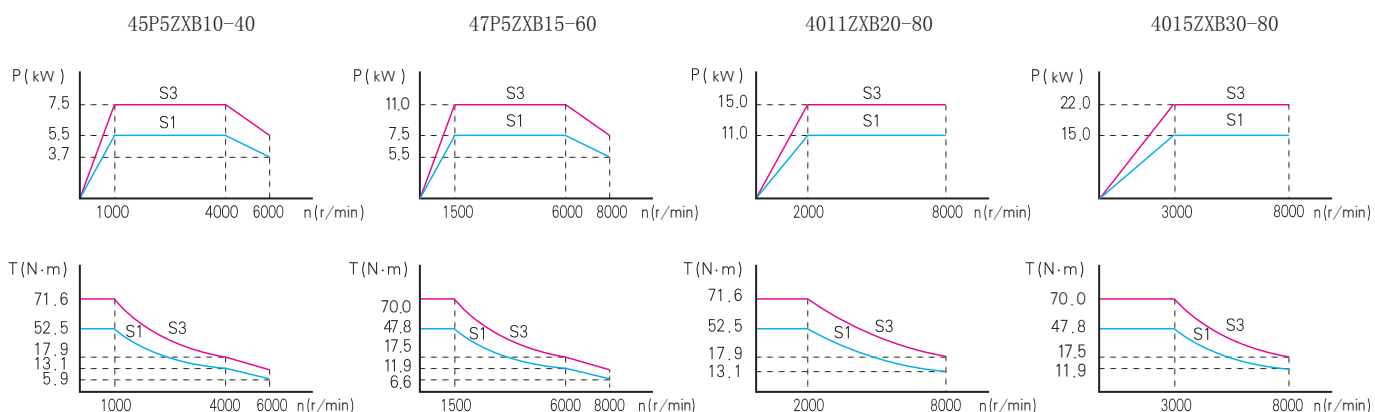


Electricity parameter

Voltage class: 400V connecting method: Y Fan power:75W Fan voltage:380V

Motor model	Rated power (kW)	Rated current (A)	Rated torque (N·m)	Rated voltage (V)	Pole number (P)	Rated frequency (Hz)	Rated rotate speed (r/vmin)	Constant power Highest rotate speed (r/min)	Highest rotate speed (r/min)	Rotational inertia (kg. m ²)
CTB-45P5ZXB10-XXXP	5.5	11.6/13.0/14.2	52.5	380/340/310	4	35.7	1000	2000/3000/4000	6000	0.0233
CTB-47P5ZXB15-XXXP	7.5	15.2/16.0/18.2	47.8	380/360/315	4	52.3	1500	3000/4500/6000	8000	0.0233
CTB-4011ZXB20-XXXP	11	22.0/23.8/25.9	52.5	380/360/315	4	69.0	2000	4000/6000/8000	8000	0.0233
CTB-4015ZXB30-XXXP	15	29.0/31.9	47.8	380/350	4	102.1	3000	6000/8000	8000	0.0233

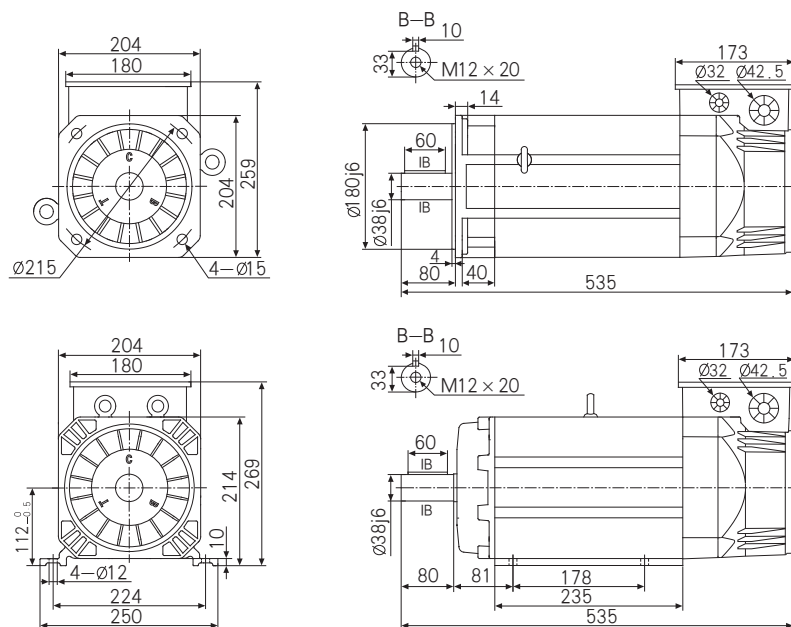
Characteristic curve



Performance index

Name	Index
Encoder (Can choose)	CE9-1024 (incremental)
	CE9-2500 (incremental)
	CE9-17B (Absolute value)
	RZ12-1024 (rotating transformer)
	SC-2048 (Sin-Cos)
Shaft extension structure	G:optical axis
	J:key slot
Installation method	B3 B5 B35
Weight /gross weight	71 (79)kg
Protection class	IP55
Insulation class	F class
Rated temperature rise	90 K
Vibration class	S
Noise	≤70dB (A)
Temperature	-15~45°C
Environment humidity	≤95%RH

Shape and installation size



CTB AC servo spindle motor

Motor base model: BP4
shape size 204X204X600mm

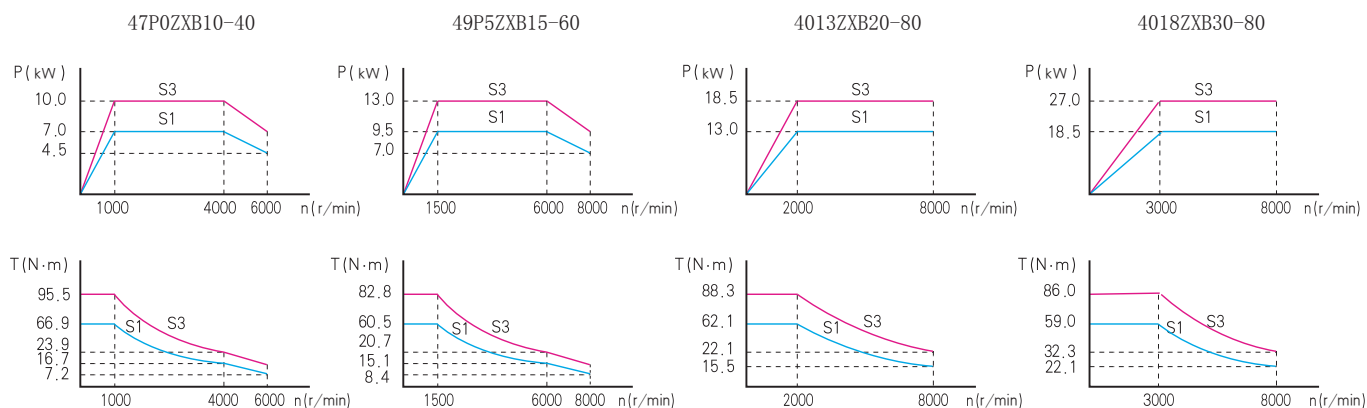


Electricity parameter

Voltage class: 400V connecting method: Y Fan power:75W Fan voltage:380V

Motor model	Rated power (kW)	Rated current (A)	Rated torque (N·m)	Rated voltage (V)	Pole number (P)	Rated frequency (Hz)	Rated rotate speed(r/vmin)	Constant power Highest rotate speed (r/min)	Highest rotate speed(r/min)	Rotational inertia (kg. m ²)
CTB-47P0ZXB10-XXXP	7	14.4/15.9/17.4	66.9	380/345/315	4	35.6	1000	2000/3000/4000	6000	0.0261
CTB-49P5ZXB15-XXXP	9.5	18.7/20.8/22.4	60.5	380/350/325	4	51.9	1500	3000/4500/6000	8000	0.0261
CTB-4013ZXB20-XXXP	13	25.3/27.7/30.5	62.1	380/350/320	4	68.7	2000	4000/6000/8000	8000	0.0261
CTB-4018ZXB30-XXXP	18.5	34.9/38.5	59.0	380/350	4	102.1	3000	6000/8000	8000	0.0261

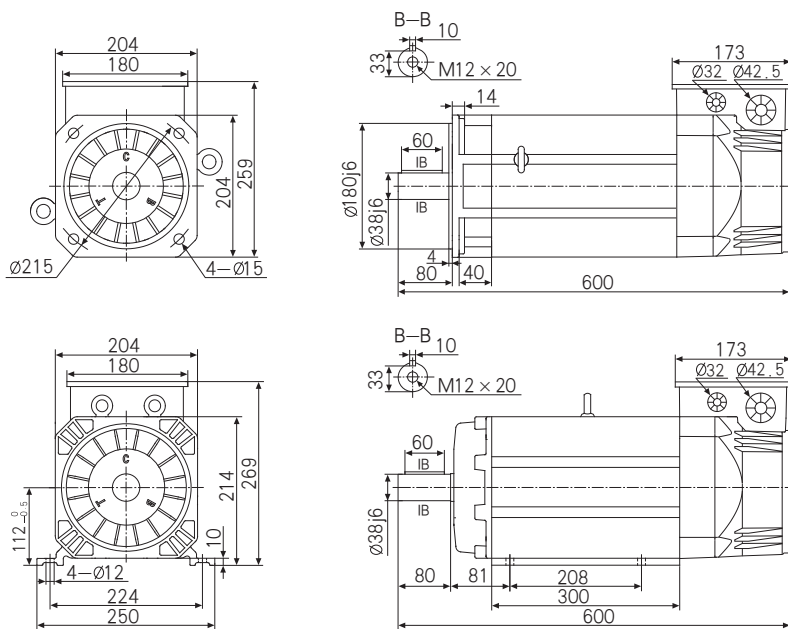
Characteristic curve



Performance index

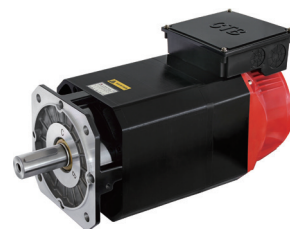
Name	Index
Encoder (Can choose)	CE9-1024 (incremental)
	CE9-2500 (incremental)
	CE9-17B (Absolute value)
	RZ12-1024 (rotating transformer)
	SC-2048 (Sin-Cos)
Shaft extension structure	G:optical axis
	J:key slot
Installation method	B3 B5 B35
Weight /gross weight	84 (94)kg
Protection class	IP55
Insulation class	F class
Rated temperature rise	90 K
Vibration class	S
Noise	≤70dB(A)
Temperature	-15~45℃
Environment humidity	≤95%RH

Shape and installation size



CTB AC servo spindle motor

Motor base model: C1
shape size 250X250X560mm

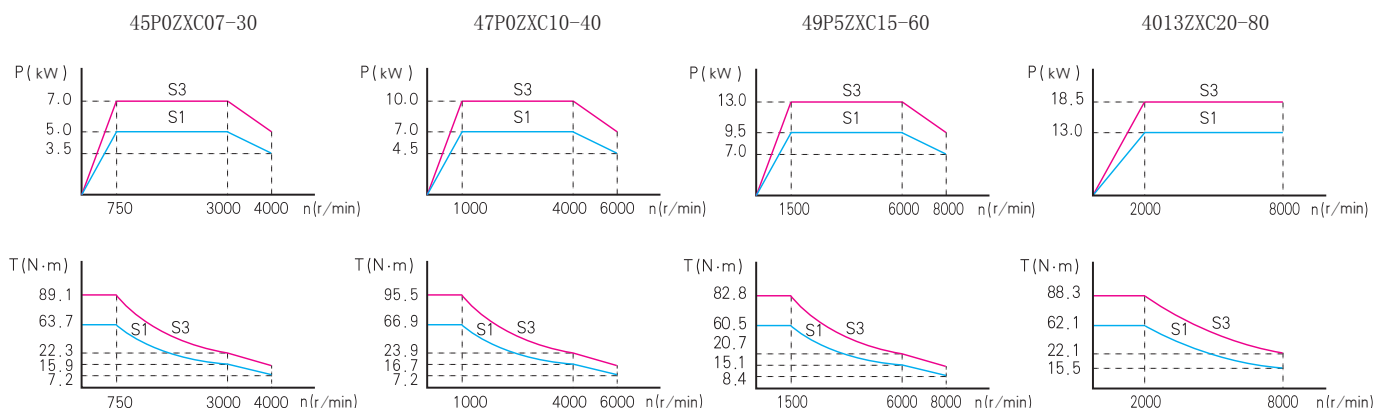


Electricity parameter

Voltage class: 400V connecting method: Y Fan power:80W Fan voltage:380V

Motor model	Rated power (kW)	Rated current (A)	Rated torque (N·m)	Rated voltage (V)	Pole number (P)	Rated frequency (Hz)	Rated rotate speed (r/vmin)	Constant power Highest rotate speed (r/min)	Highest rotate speed (r/min)	Rotational inertia (kg. m ²)
CTB-45P0ZXC07-XXX	5	10.4/12.1/13.7	63.7	380/330/290	4	27.0	750	1500/2200/3000	4000	0.0424
CTB-47P0ZXC10-XXX	7	14.1/16.9/18.6	66.9	380/320/290	4	35.5	1000	2000/3000/4000	6000	0.0424
CTB-49P5ZXC15-XXX	9.5	18.5/21.5/24.5	60.5	380/330/290	4	51.9	1500	3000/4500/6000	8000	0.0424
CTB-4013ZXC20-XXX	13	25.0/28.7/32.7	62.1	380/330/290	4	68.8	2000	4000/6000/8000	8000	0.0424

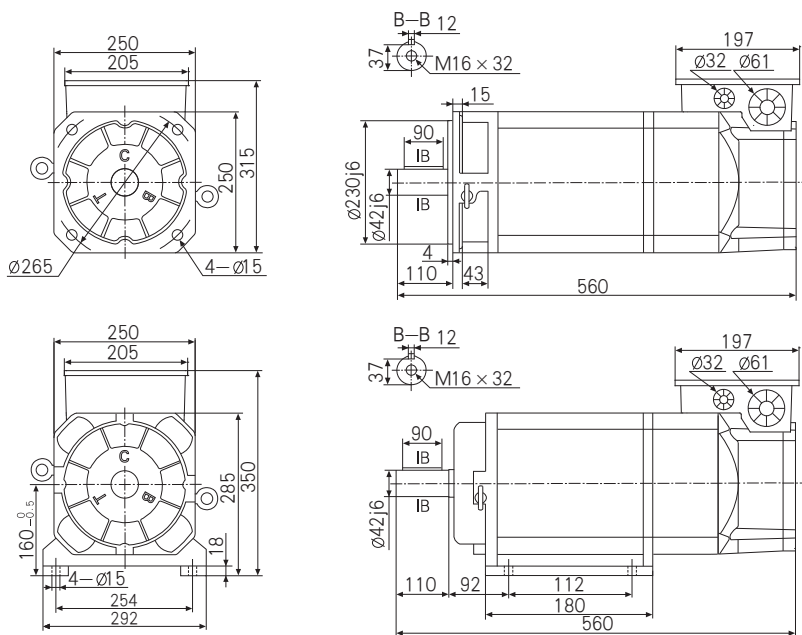
Characteristic curve



Performance index

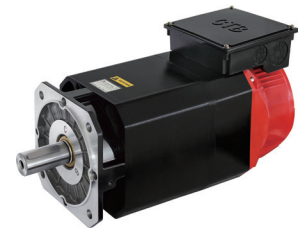
Name	Index
Encoder (Can choose)	CE9-1024 (incremental)
	CE9-2500 (incremental)
	CE9-17B (Absolute value)
	RZ12-1024 (rotating transformer)
	SC-2048 (Sin-Cos)
Shaft extension structure	G:optical axis
	J:key slot
Installation method	B3 B5 B35
Brake	Torque 80N·m
Weight /gross weight	78 (88) kg
Protection class	IP55
Insulation class	F class
Rated temperature rise	90 K
Vibration class	S
Noise	≤70dB(A)
Temperature	-15~45°C
Environment humidity	≤95%RH

Shape and installation size



CTB AC servo spindle motor

Motor base model: C2
shape size 250X250X590mm

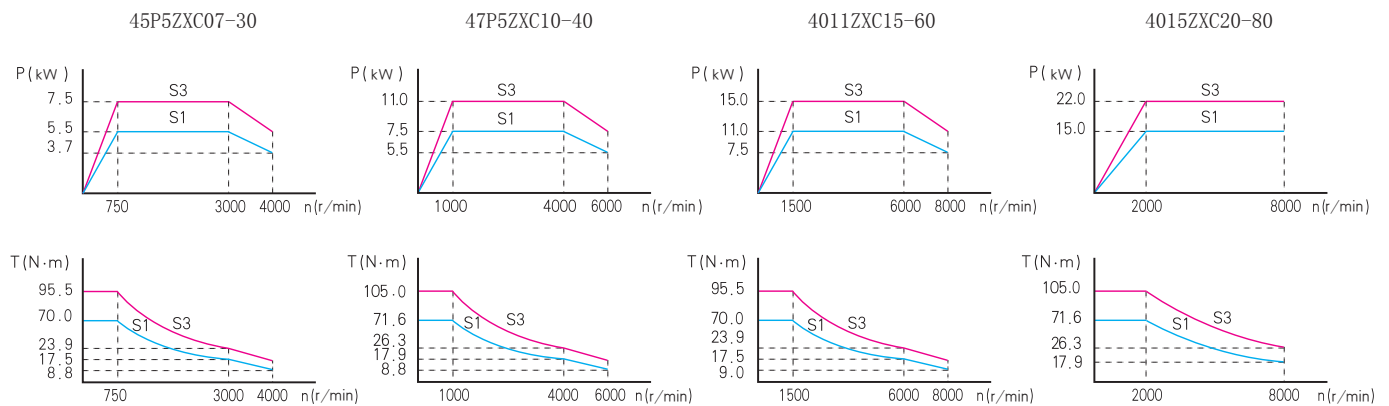


Electricity parameter

Voltage class: 400V connecting method: Y Fan power:80W Fan voltage:380V

Motor model	Rated power (kW)	Rated current (A)	Rated torque (N·m)	Rated voltage (V)	Pole number (P)	Rated frequency (Hz)	Rated rotate speed (r/vmin)	Constant power Highest rotate speed (r/min)	Highest rotate speed (r/min)	Rotational inertia (kg·m ²)
CTB-45P5ZXC07-XXX	5.5	11.3/12.8/14.3	70.0	380/335/300	4	27.0	750	1500/2200/3000	4000	0.0491
CTB-47P5ZXC10-XXX	7.5	15.0/16.5/18.7	71.6	380/345/305	4	35.1	1000	2000/3000/4000	6000	0.0491
CTB-4011ZXC15-XXX	11	21.3/24.2/28.1	70.0	380/335/290	4	51.9	1500	3000/4500/6000	8000	0.0491
CTB-4015ZXC20-XXX	15	28.6/32.6/36.9	71.6	380/335/295	4	68.7	2000	4000/6000/8000	8000	0.0491

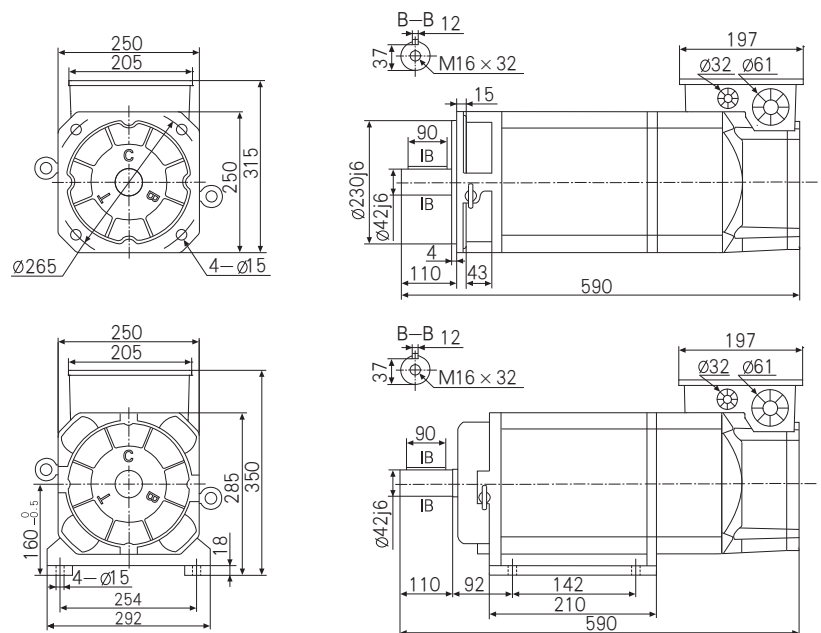
Characteristic curve



Performance index

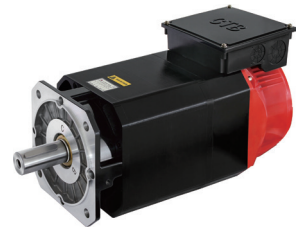
Name	Index
Encoder (Can choose)	CE9-1024 (incremental)
	CE9-2500 (incremental)
	CE9-17B (Absolute value)
	RZ12-1024 (rotating transformer)
	SC-2048 (Sin-Cos)
Shaft extension structure	G:optical axis
	J:key slot
Installation method	B3 B5 B35
Brake	Torque 80N·m
Weight /gross weight	87 (97)kg
Protection class	IP55
Insulation class	F class
Rated temperature rise	90 K
Vibration class	S
Noise	≤70dB (A)
Temperature	-15~45°C
Environment humidity	≤95%RH

Shape and installation size



CTB AC servo spindle motor

Motor base model: C3
shape size 250X250X640mm

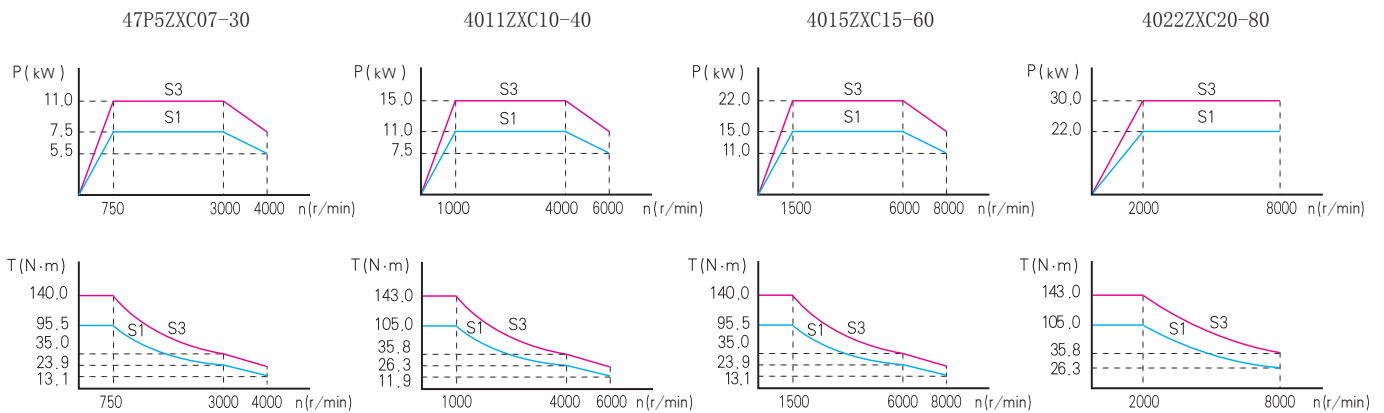


Electricity parameter

Voltage class: 400V connecting method: Y Fan power:80W Fan voltage:380V

Motor model	Rated power (kW)	Rated current (A)	Rated torque (N·m)	Rated voltage (V)	Pole number (P)	Rated frequency (Hz)	Rated rotate speed(r/vmin)	Constant power Highest rotate speed (r/min)	Highest rotate speed (r/min)	Rotational inertia (kg·m ²)
CTB-47P5ZXC07-XXX	7.5	15.3/17.1/19.2	95.5	380/340/305	4	27.0	750	1500/2200/3000	4000	0.0603
CTB-4011ZXC10-XXX	11	21.9/25.3/27.3	105	380/330/305	4	35.3	1000	2000/3000/4000	6000	0.0603
CTB-4015ZXC15-XXX	15	29.1/32.8/37.3	95.5	380/335/295	4	51.9	1500	3000/4500/6000	8000	0.0603
CTB-4022ZXC20-XXX	22	42.0/48.2/54.2	105	380/330/295	4	68.6	2000	4000/6000/8000	8000	0.0603

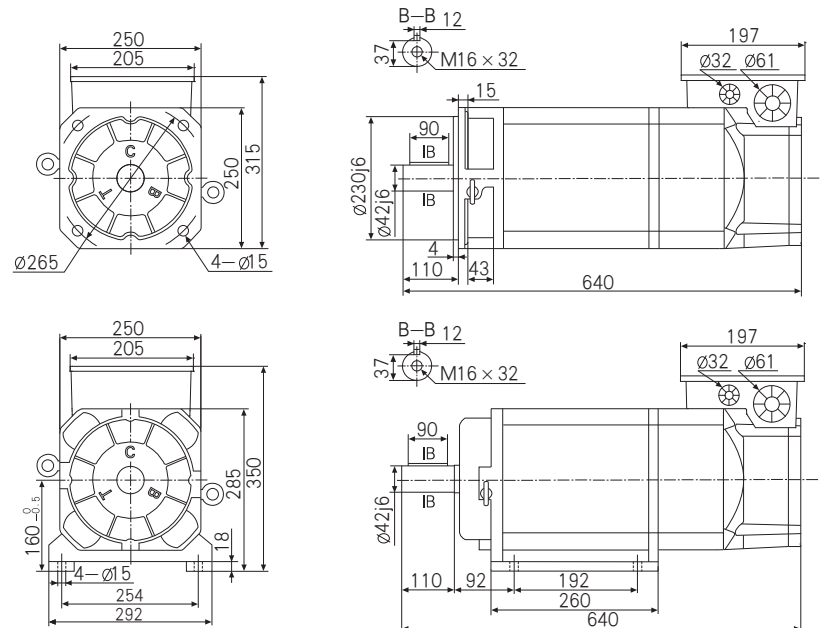
Characteristic curve



Performance index

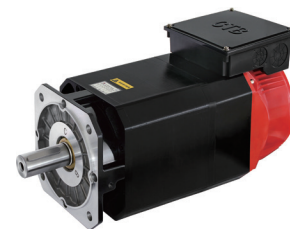
Name	Index
Encoder (Can choose)	CE9-1024 (incremental)
	CE9-2500 (incremental)
	CE9-17B (Absolute value)
	RZ12-1024 (rotating transformer)
	SC-2048 (Sin-Cos)
Shaft extension structure	G:optical axis
	J:key slot
Installation method	B3 B5 B35
Brake	Torque 80N·m
Weight /gross weight	117 (127) kg
Protection class	IP55
Insulation class	F class
Rated temperature rise	90 K
Vibration class	S
Noise	≤70dB (A)
Temperature	-15~45℃
Environment humidity	≤95%RH

Shape and installation size



CTB AC servo spindle motor

Motor base model: C4
shape size 250X250X690mm

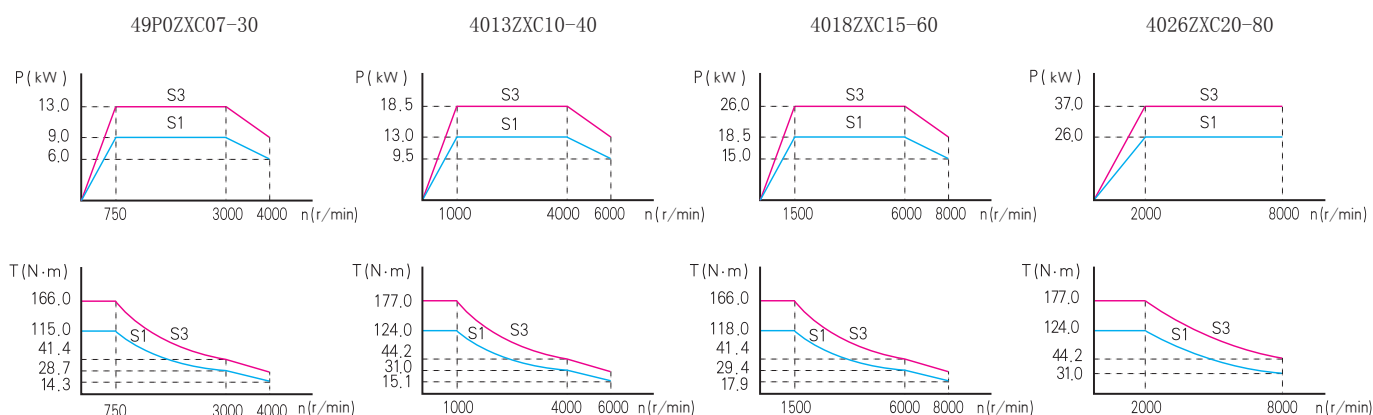


Electricity parameter

Voltage class: 400V connecting method: Y Fan power:80W Fan voltage:380V

Motor model	Rated power (kW)	Rated current (A)	Rated torque (N·m)	Rated voltage (V)	Pole number (P)	Rated frequency (Hz)	Rated rotate speed (r/vmin)	Constant power Highest rotate speed (r/min)	Highest rotate speed (r/min)	Rotational inertia (kg·m ²)
CTB-49P0ZXC07-XXX	9	18.2/20.7/23.1	115	380/335/300	4	26.8	750	1500/2200/3000	4000	0.0715
CTB-4013ZXC10-XXX	13	25.6/29.6/32.1	124	380/330/305	4	35.3	1000	2000/3000/4000	6000	0.0715
CTB-4018ZXC15-XXX	18.5	35.5/40.2/45.7	118	380/335/295	4	52.0	1500	3000/4500/6000	8000	0.0715
CTB-4026ZXC20-XXX	26	48.9/56.9/63.4	124	380/330/295	4	68.7	2000	4000/6000/8000	8000	0.0715

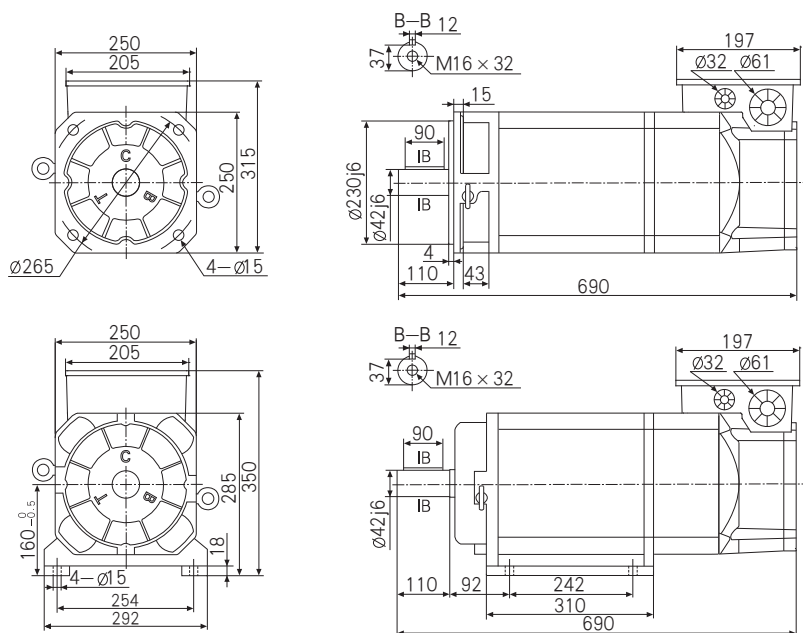
Characteristic curve



Performance index

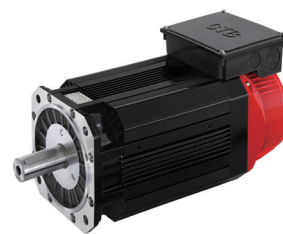
Name	Index
Encoder (Can choose)	CE9-1024 (incremental)
	CE9-2500 (incremental)
	CE9-17B (Absolute value)
	RZ12-1024 (rotating transformer)
	SC-2048 (Sin-Cos)
Shaft extension structure	G:optical axis
	J:key slot
Installation method	B3 B5 B35
Brake	Torque 80N·m
Weight /gross weight	137 (147) kg
Protection class	IP55
Insulation class	F class
Rated temperature rise	90 K
Vibration class	S
Noise	≤70dB(A)
Temperature	-15~45°C
Environment humidity	≤95%RH

Shape and installation size



CTB AC servo spindle motor

Motor base model: CP1
shape size 265X265X570mm

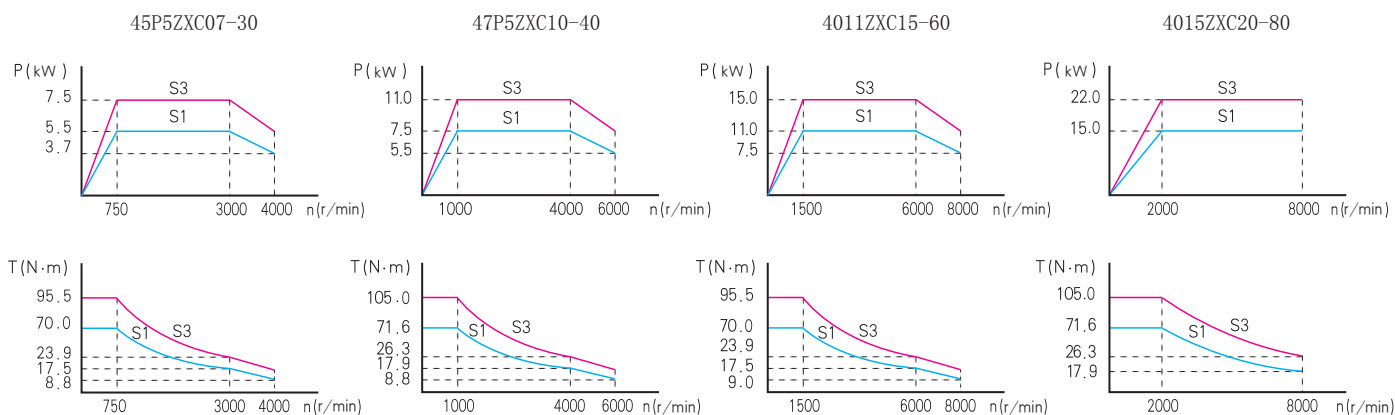


Electricity parameter

Voltage class: 400V connecting method: Y Fan power:70W Fan voltage:380V

Motor model	Rated power (kW)	Rated current (A)	Rated torque (N·m)	Rated voltage (V)	Pole number (P)	Rated frequency (Hz)	Rated rotate speed(r/vmin)	Constant power Highest rotate speed (r/min)	Highest rotate speed (r/min)	Rotational inertia (kg. m ²)
CTB-45P5ZXC07-XXXP	5.5	11.4/12.5/13.7	70	380/350/320	4	26.3	750	1500/2200/3000	4000	0.0491
CTB-47P5ZXC10-XXXP	7.5	15.1/16.4/18.6	72	380/350/310	4	34.7	1000	2000/3000/4000	6000	0.0491
CTB-4011ZXC15-XXXP	11	21.5/24.3/25.7	70	380/335/320	4	51.3	1500	3000/4500/6000	8000	0.0491
CTB-4015ZXC20-XXXP	15	28.9/32.1/35.6	72	380/340/310	4	68.0	2000	4000/6000/8000	8000	0.0491

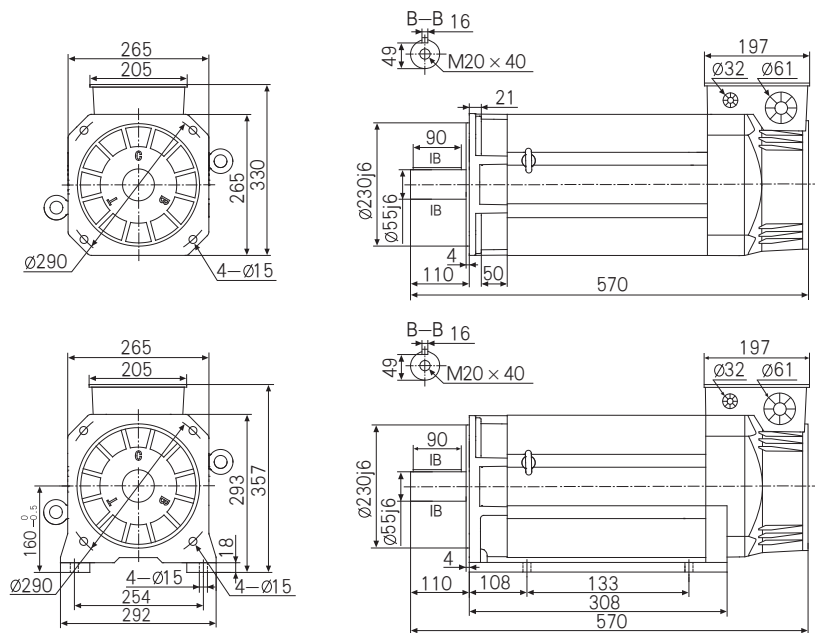
Characteristic curve



Performance index

Name	Index
Encoder (Can choose)	CE9-1024 (incremental)
	CE9-2500 (incremental)
	CE9-17B (Absolute value)
	RZ12-1024 (rotating transformer)
	SC-2048 (Sin-Cos)
Shaft extension structure	G: optical axis
	J: key slot
Installation method	B3 B5 B35
Weight /gross weight	87 (97)kg
Protection class	IP55
Insulation class	F class
Rated temperature rise	90 K
Vibration class	S
Noise	≤70dB(A)
Temperature	-15~45℃
Environment humidity	≤95%RH

Shape and installation size



CTB AC servo spindle motor

Motor base model: CP2
shape size 265X265X620mm

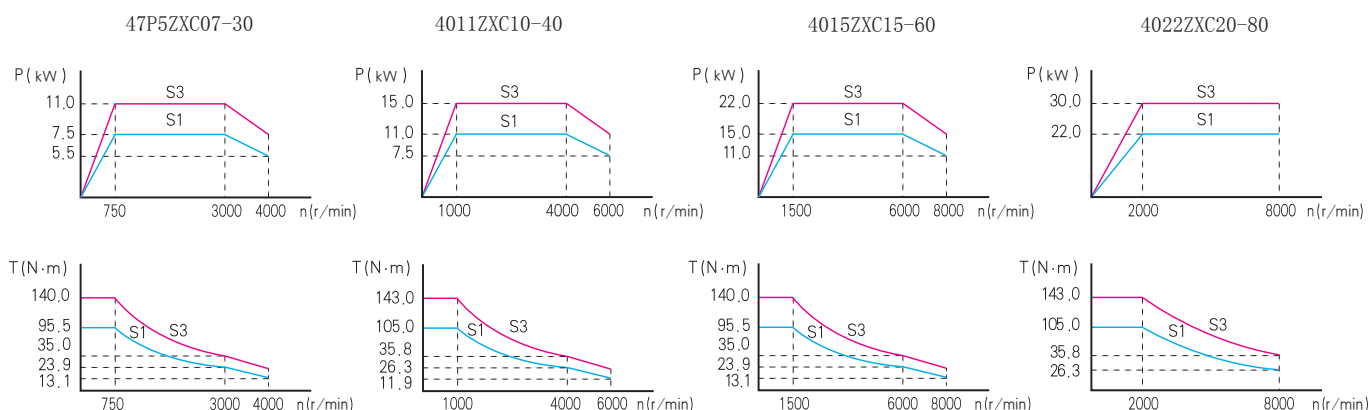


Electricity parameter

Voltage class: 400V connecting method: Y Fan power:70W Fan voltage:380V

Motor model	Rated power (kW)	Rated current (A)	Rated torque (N·m)	Rated voltage (V)	Pole number (P)	Rated frequency (Hz)	Rated rotate speed (r/vmin)	Constant power Highest rotate speed (r/min)	Highest rotate speed (r/min)	Rotational inertia (kg. m ²)
CTB-47P5ZXC07-XXXP	7.5	15.3/17.2/18.9	96	380/340/310	4	26.4	750	1500/2200/3000	4000	0.0603
CTB-4011ZXC10-XXXP	11	21.7/24.4/27.3	105	380/340/305	4	34.7	1000	2000/3000/4000	6000	0.0603
CTB-4015ZXC15-XXXP	15	29.0/31.6/34.5	96	380/350/320	4	51.3	1500	3000/4500/6000	8000	0.0603
CTB-4022ZXC20-XXXP	22	41.6/48.3/53.8	105	380/330/300	4	68.0	2000	4000/6000/8000	8000	0.0603

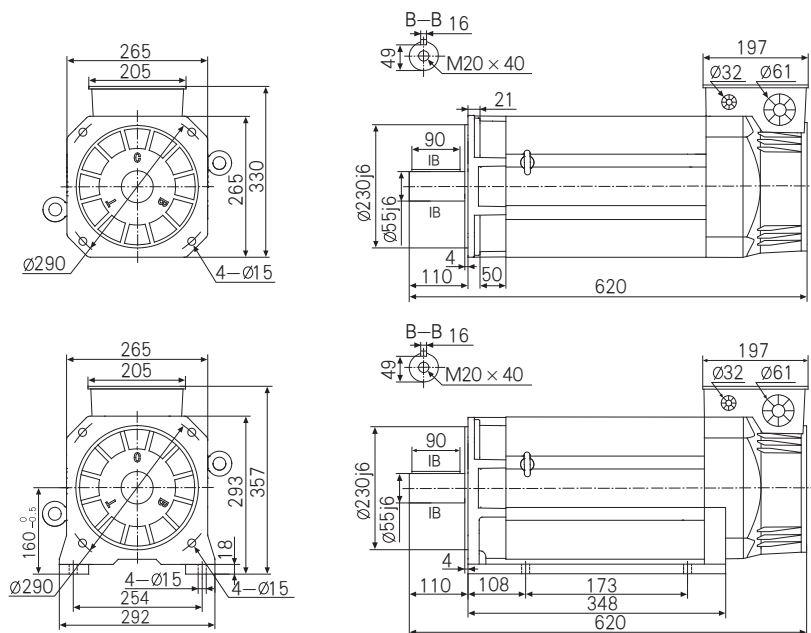
Characteristic curve



Performance index

Name	Index
Encoder (Can choose)	CE9-1024 (incremental)
	CE9-2500 (incremental)
	CE9-17B (Absolute value)
	RZ12-1024 (rotating transformer)
	SC-2048 (Sin-Cos)
Shaft extension structure	G:optical axis
	J:key slot
Installation method	B3 B5 B35
Weight /gross weight	117 (127)kg
Protection class	IP55
Insulation class	F class
Rated temperature rise	90 K
Vibration class	S
Noise	≤70dB (A)
Temperature	-15~45°C
Environment humidity	≤95%RH

Shape and installation size



CTB AC servo spindle motor

Motor base model: CP3
shape size 265X265X675mm

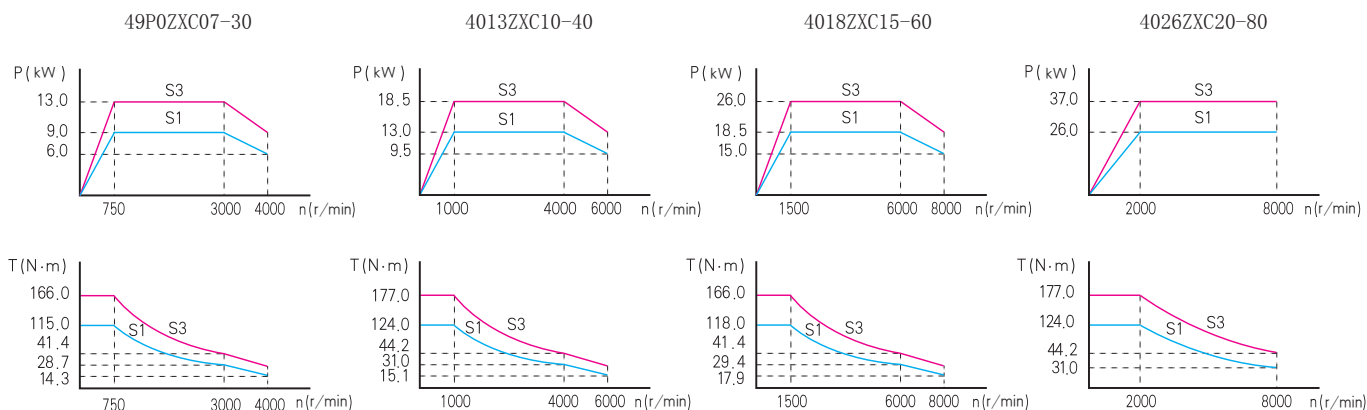


Electricity parameter

Voltage class: 400V connecting method: Y Fan power:70W Fan voltage:380V

Motor model	Rated power (kW)	Rated current (A)	Rated torque (N·m)	Rated voltage (V)	Pole number (P)	Rated frequency (Hz)	Rated rotate speed (r/vmin)	Constant power Highest rotate speed (r/min)	Highest rotate speed (r/min)	Rotational inertia (kg·m ²)
CTB-49P0ZXC07-XXXP	9	18.0/19.7/22.2	115	380/350/310	4	26.2	750	1500/2200/3000	4000	0.0715
CTB-4013ZXC10-XXXP	13	25.4/27.5/31.4	124	380/350/310	4	34.7	1000	2000/3000/4000	6000	0.0715
CTB-4018ZXC15-XXXP	18.5	35.2/38.4/42.8	118	380/350/315	4	51.2	1500	3000/4500/6000	8000	0.0715
CTB-4026ZXC20-XXXP	26	49.8/53.8/59.0	124	380/350/315	4	67.9	2000	4000/6000/8000	8000	0.0715

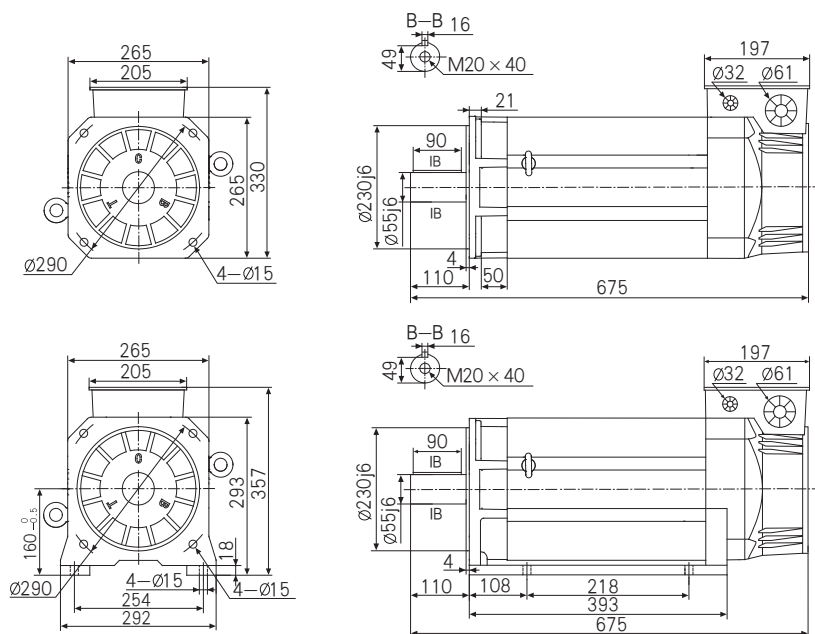
Characteristic curve



Performance index

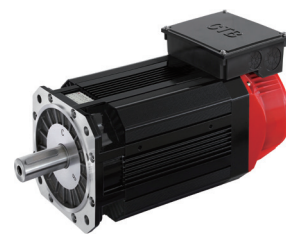
Name	Index
Encoder (Can choose)	CE9-1024 (incremental)
	CE9-2500 (incremental)
	CE9-17B (Absolute value)
	RZ12-1024 (rotating transformer)
	SC-2048 (Sin-Cos)
Shaft extension structure	G:optical axis
	J:key slot
Installation method	B3 B5 B35
Weight /gross weight	137 (147) kg
Protection class	IP55
Insulation class	F class
Rated temperature rise	90 K
Vibration class	S
Noise	≤70dB(A)
Temperature	-15~45℃
Environment humidity	≤95%RH

Shape and installation size



CTB AC servo spindle motor

Motor base model: CP4
shape size 265X265X720mm

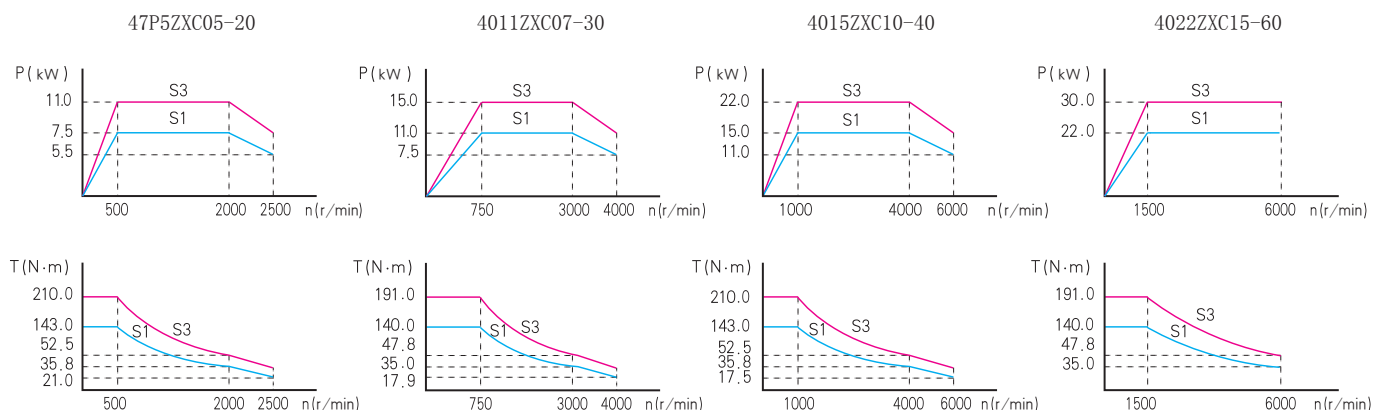


Electricity parameter

Voltage class: 400V connecting method: Y Fan power:70W Fan voltage:380V

Motor model	Rated power (kW)	Rated current (A)	Rated torque (N·m)	Rated voltage (V)	Pole number (P)	Rated frequency (Hz)	Rated rotate speed (r/vmin)	Constant power Highest rotate speed (r/min)	Highest rotate speed (r/min)	Rotational inertia (kg. m ²)
CTB-47P5ZXC05-XXXXP	7.5	15.6/17.7/19.3	143	380/335/310	4	17.8	500	1000/1500/2000	2500	0.0824
CTB-4011ZXC07-XXXXP	11	22.3/24.0/26.0	140	380/350/320	4	26.1	750	1500/2200/3000	4000	0.0824
CTB-4015ZXC10-XXXXP	15	29.0/30.9/35.0	143	380/360/320	4	34.4	1000	2000/3000/4000	6000	0.0824
CTB-4022ZXC15-XXXXP	22	42.3/44.9/51.7	140	380/355/310	4	51.1	1500	3000/4500/6000	6000	0.0824

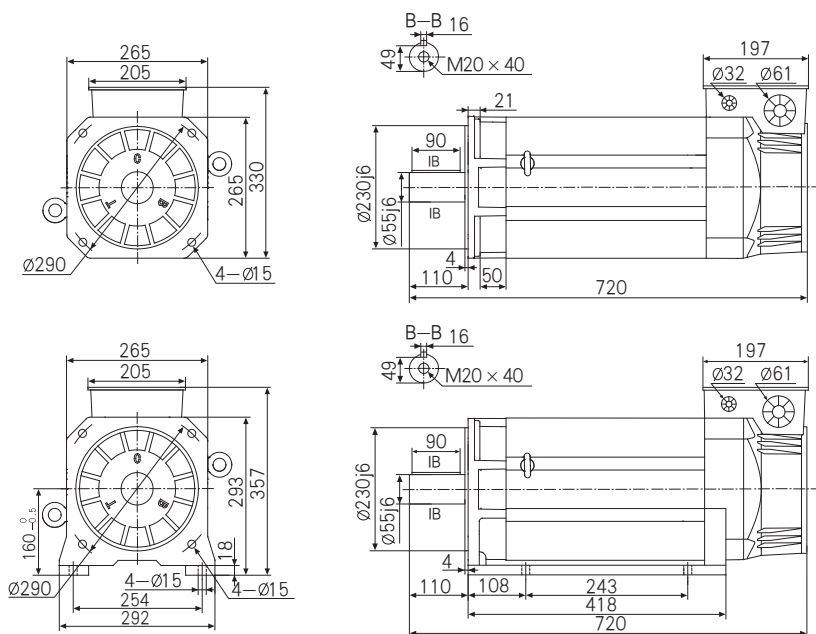
Characteristic curve



Performance index

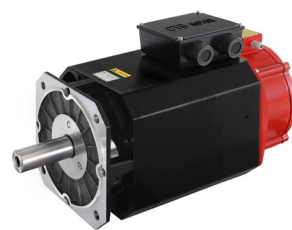
Name	Index
Encoder (Can choose)	CE9-1024 (incremental)
	CE9-2500 (incremental)
	CE9-17B (Absolute value)
	RZ12-1024 (rotating transformer)
	SC-2048 (Sin-Cos)
Shaft extension structure	G:optical axis
	J:key slot
Installation method	B3 B5 B35
Weight /gross weight	150(160)kg
Protection class	IP55
Insulation class	F class
Rated temperature rise	90 K
Vibration class	S
Noise	≤70dB(A)
Temperature	-15~45℃
Environment humidity	≤95%RH

Shape and installation size



CTB AC servo spindle motor

Motor base model: D1
shape size 300X300X650mm

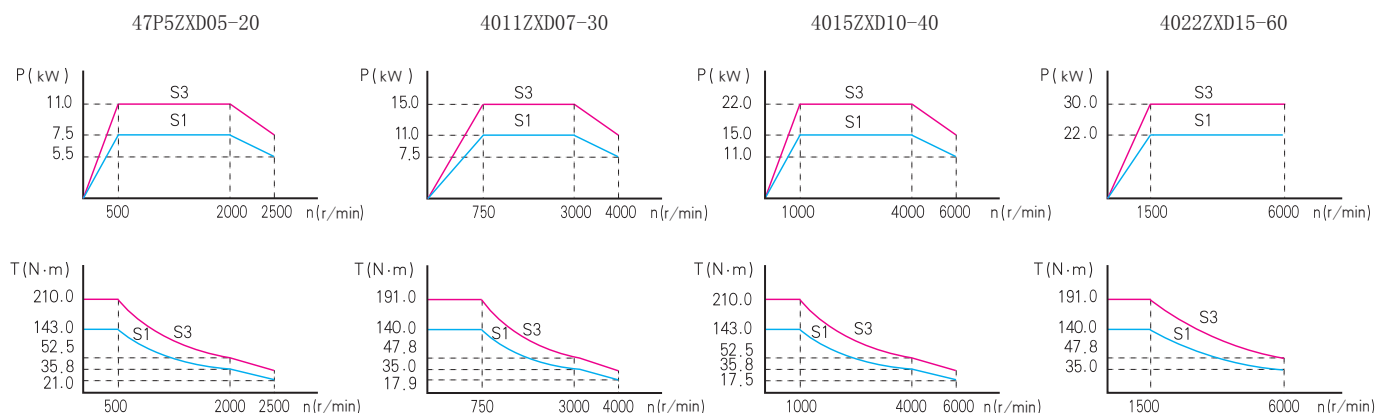


Electricity parameter

Voltage class: 400V connecting method: Y Fan power:100W Fan voltage:380V

Motor model	Rated power (kW)	Rated current (A)	Rated torque (N·m)	Rated voltage (V)	Pole number (P)	Rated frequency (Hz)	Rated rotate speed (r/vmin)	Constant power Highest rotate speed (r/min)	Highest rotate speed (r/min)	Rotational inertia (kg. m ²)
CTB-47P5ZXD05-XXX	7.5	15.2/16.4/17.9	143	380/350/320	4	17.8	500	1000/1500/2000	2500	0.128
CTB-4011ZXD07-XXX	11	21.1/23.6/25.5	140	380/340/315	4	26.1	750	1500/2200/3000	4000	0.128
CTB-4015ZXD10-XXX	15	28.1/30.9/34.5	143	380/345/310	4	34.4	1000	2000/3000/4000	6000	0.128
CTB-4022ZXD15-XXX	22	40.3/45.1/49.6	140	380/340/310	4	51.1	1500	3000/4500/6000	6000	0.128

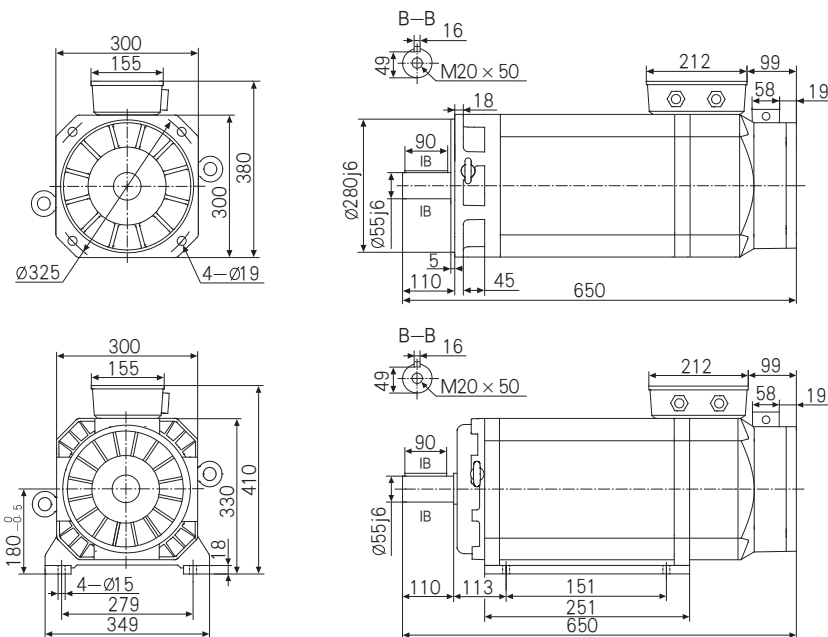
Characteristic curve



Performance index

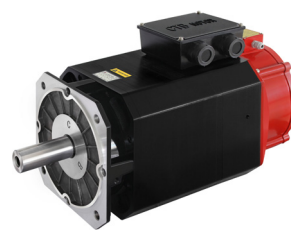
Name	Index
Encoder (Can choose)	CE15-2500 (incremental)
	RZ12-1024 (rotating transformer)
	SC-2048 (Sin-Cos)
Shaft extension structure	G:optical axis
	J:key slot
Installation method	B3 B5 B35
Brake	Torque 150N·m
Weight /gross weight	186 (198)kg
Protection class	IP55
Insulation class	F class
Rated temperature rise	90 K
Vibration class	S
Noise	≤70dB (A)
Temperature	-15~45°C
Environment humidity	≤95%RH

Shape and installation size



CTB AC servo spindle motor

Motor base model: D2
shape size 300X300X675mm

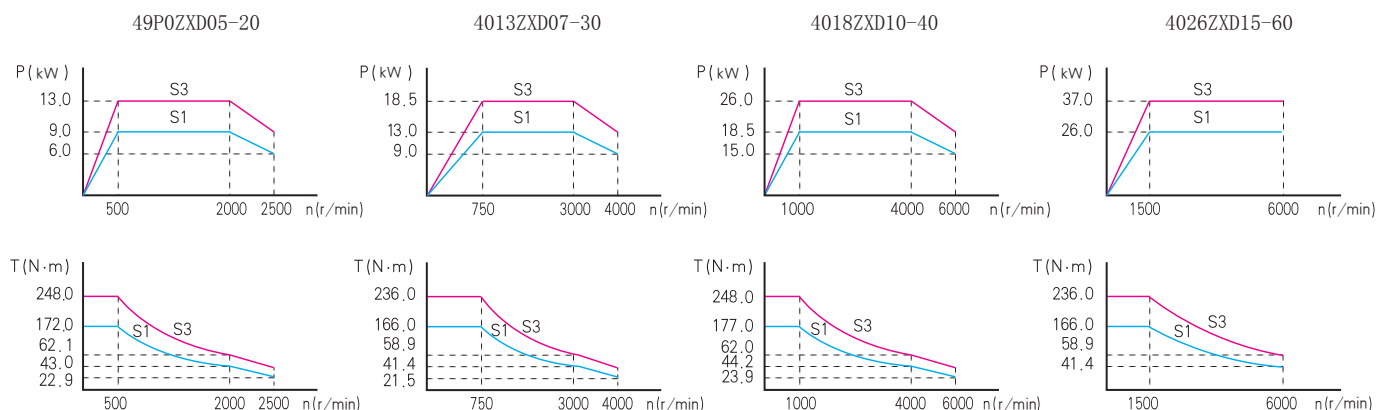


Electricity parameter

Voltage class: 400V connecting method: Y Fan power:100W Fan voltage:380V

Motor model	Rated power (kW)	Rated current (A)	Rated torque (N·m)	Rated voltage (V)	Pole number (P)	Rated frequency (Hz)	Rated rotate speed (r/vmin)	Constant power Highest rotate speed (r/min)	Highest rotate speed (r/min)	Rotational inertia (kg. m ²)
CTB-49P0ZXD05-XXX	9	18.0/20.2/22.5	172	380/340/305	4	17.8	500	1000/1500/2000	2500	0.158
CTB-4013ZXD07-XXX	13	24.7/27.1/30.5	166	380/350/310	4	26.1	750	1500/2200/3000	4000	0.158
CTB-4018ZXD10-XXX	18.5	34.5/39.2/41.1	177	380/335/320	4	34.6	1000	2000/3000/4000	6000	0.158
CTB-4026ZXD15-XXX	26	47.3/52.3/58.3	166	380/345/310	4	51.1	1500	3000/4500/6000	6000	0.158

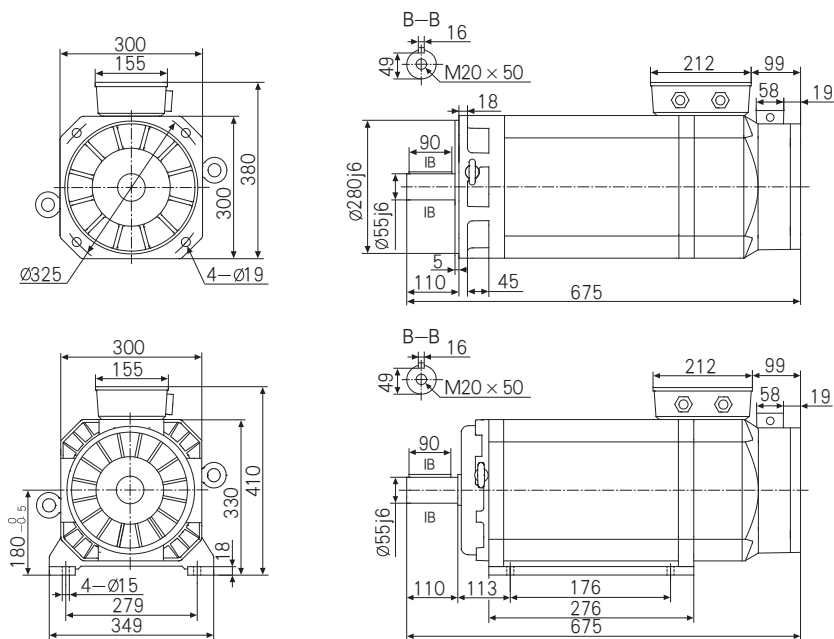
Characteristic curve



Performance index

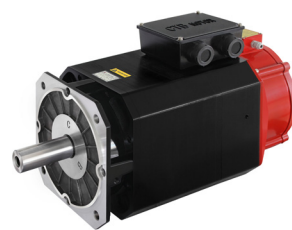
Name	Index
Encoder (Can choose)	CE15-2500 (incremental)
	RZ12-1024 (rotating transformer)
	SC-2048 (Sin-Cos)
Shaft extension structure	G:optical axis
	J:key slot
Installation method	B3 B5 B35
Brake	Torque 150N·m
Weight /gross weight	208 (220)kg
Protection class	IP55
Insulation class	F class
Rated temperature rise	90 K
Vibration class	S
Noise	≤70dB(A)
Temperature	-15~45°C
Environment humidity	≤95%RH

Shape and installation size



CTB AC servo spindle motor

Motor base model: D3
shape size 300X300X710mm

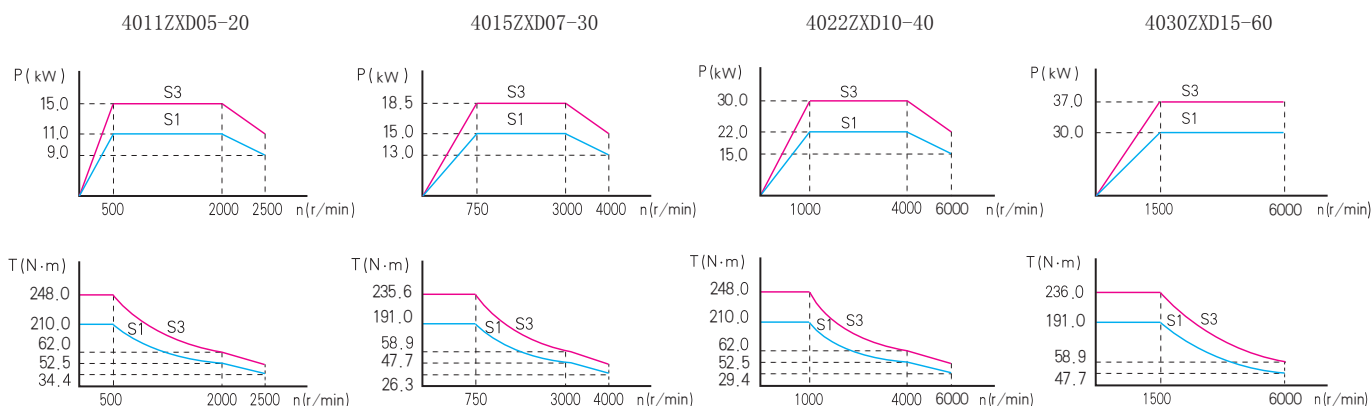


Electricity parameter

Voltage class: 400V connecting method: Y Fan power:100W Fan voltage:380V

Motor model	Rated power (kW)	Rated current (A)	Rated torque (N·m)	Rated voltage (V)	Pole number (P)	Rated frequency (Hz)	Rated rotate speed(r/vmin)	Constant power Highest rotate speed (r/min)	Highest rotate speed(r/min)	Rotational inertia (kg. m ²)
CTB-4011ZXD05-XXX	11	21.9/23.8/26.0	210	380/350/320	4	17.8	500	1000/1500/2000	2500	0.180
CTB-4015ZXD07-XXX	15	28.4/31.4/34.8	191	380/345/310	4	26.1	750	1500/2200/3000	4000	0.180
CTB-4022ZXD10-XXX	22	40.8/45.8/51.9	210	380/340/300	4	35.1	1000	2000/3000/4000	6000	0.180
CTB-4030ZXD15-XXX	30	54.5/60.0/67.0	191	380/345/310	4	51.0	1500	3000/4500/6000	6000	0.180

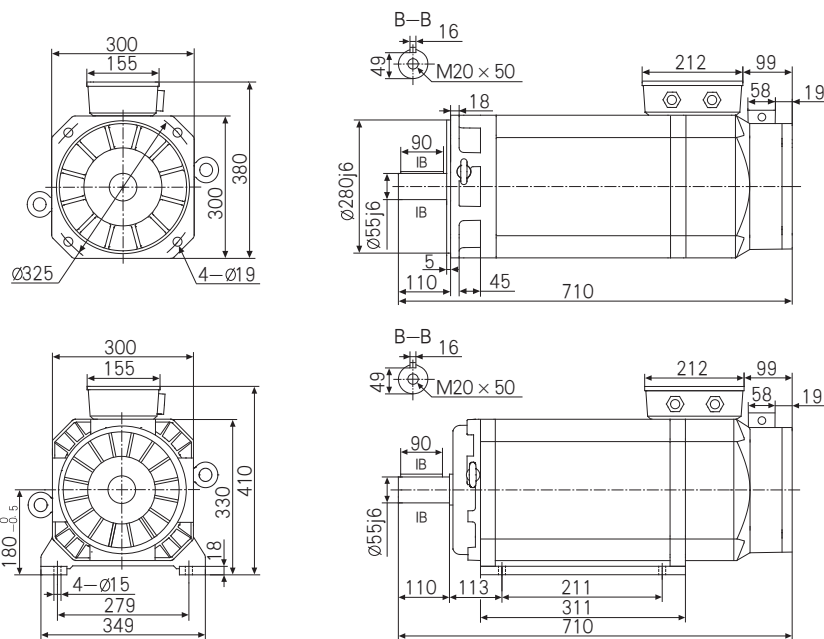
Characteristic curve



Performance index

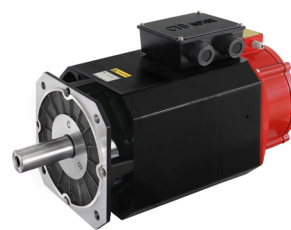
Name	Index
Encoder (Can choose)	CE15-2500 (incremental)
	RZ12-1024 (rotating transformer)
	SC-2048 (Sin-Cos)
Shaft extension structure	G:optical axis
	J:key slot
Installation method	B3 B5 B35
Brake	Torque 150N·m
Weight /gross weight	224 (236)kg
Protection class	IP55
Insulation class	F class
Rated temperature rise	90 K
Vibration class	S
Noise	≤70dB(A)
Temperature	-15~45°C
Environment humidity	≤95%RH

Shape and installation size



CTB AC servo spindle motor

Motor base model: D4
shape size 300X300X765mm

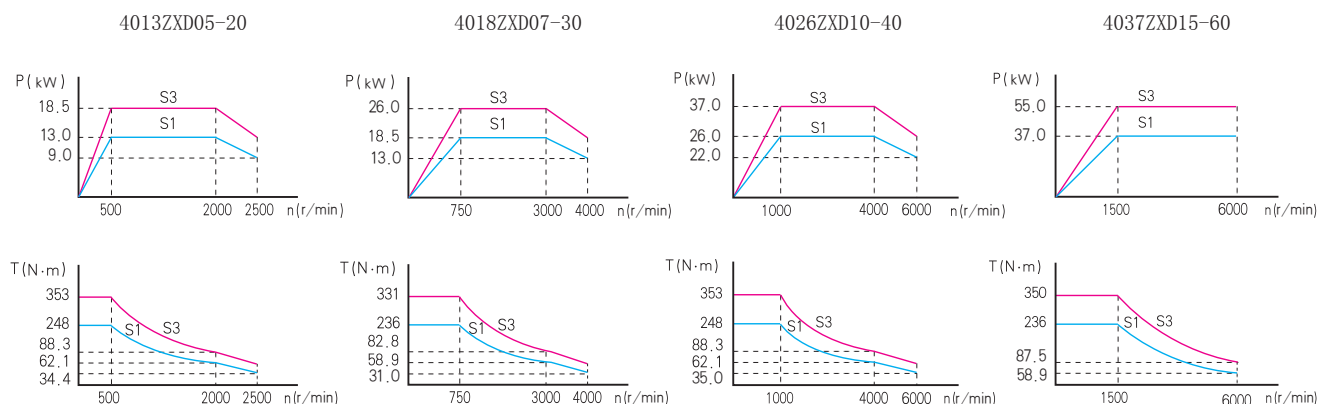


Electricity parameter

Voltage class: 400V connecting method: Y Fan power:100W Fan voltage:380V

Motor model	Rated power (kW)	Rated current (A)	Rated torque (N·m)	Rated voltage (V)	Pole number (P)	Rated frequency (Hz)	Rated rotate speed (r/vmin)	Constant power Highest rotate speed (r/min)	Highest rotate speed (r/min)	Rotational inertia (kg. m ²)
CTB-4013ZXD05-XXX	13	25.5/27.8/30.3	248	380/350/320	4	17.8	500	1000/1500/2000	2500	0.226
CTB-4018ZXD07-XXX	18.5	34.7/37.8/42.0	236	380/350/315	4	26.0	750	1500/2200/3000	4000	0.226
CTB-4026ZXD10-XXX	26	47.8/53.7/58.8	248	380/340/310	4	35.3	1000	2000/3000/4000	6000	0.226
CTB-4037ZXD15-XXX	37	66.8/73.6/80.1	236	380/345/315	4	51.1	1500	3000/4500/6000	6000	0.226

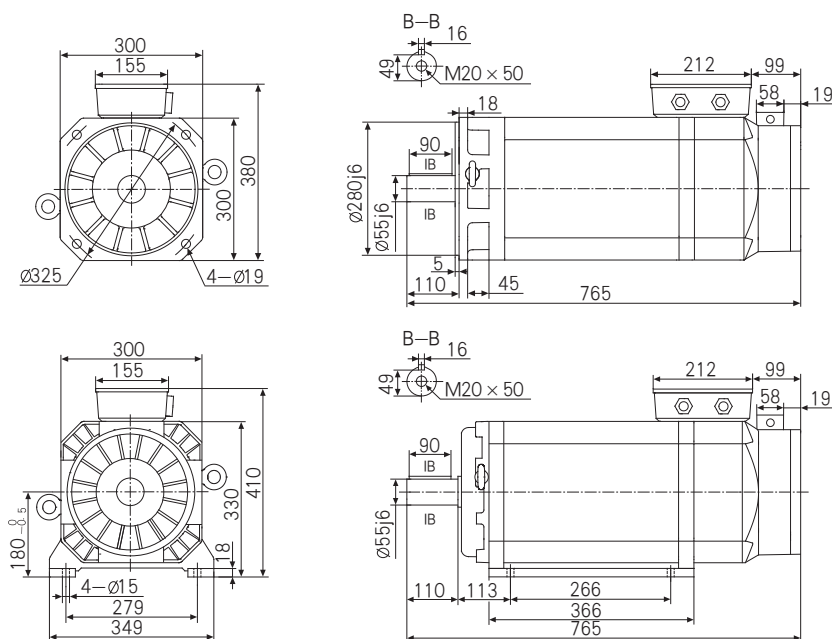
Characteristic curve



Performance index

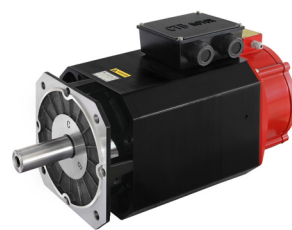
Name	Index
Encoder (Can choose)	CE15-2500 (incremental)
	RZ12-1024 (rotating transformer)
	SC-2048 (Sin-Cos)
Shaft extension structure	G: optical axis
	J: key slot
Installation method	B3 B5 B35
Brake	Torque 150N·m
Weight /gross weight	240 (252) kg
Protection class	IP55
Insulation class	F class
Rated temperature rise	90 K
Vibration class	S
Noise	≤70dB(A)
Temperature	-15~45°C
Environment humidity	≤95%RH

Shape and installation size



CTB AC servo spindle motor

Motor base model: DP1
shape size 320X320X730mm

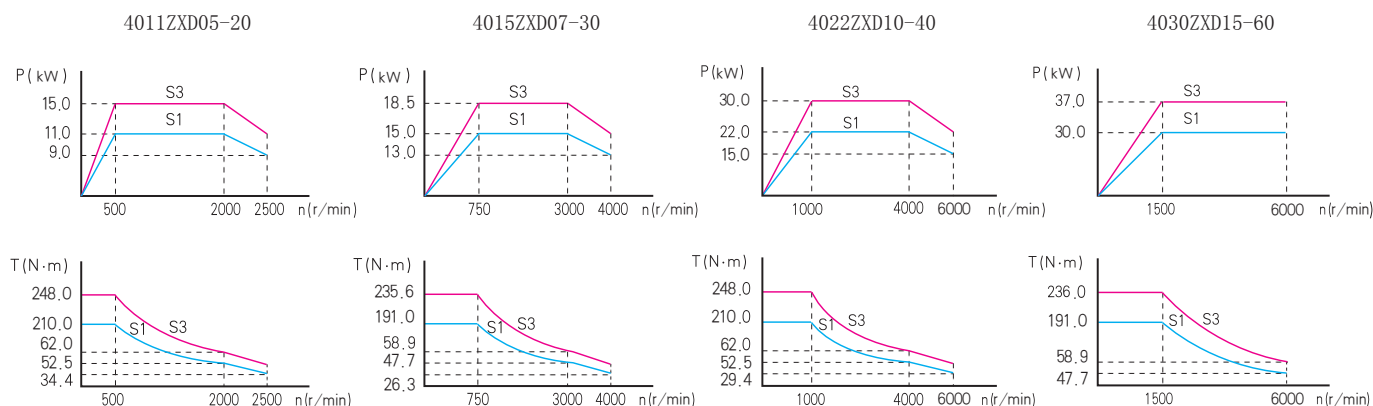


Electricity parameter

Voltage class: 400V connecting method: Y Fan power:800W Fan voltage:380V

Motor model	Rated power (kW)	Rated current (A)	Rated torque (N·m)	Rated voltage (V)	Pole number (P)	Rated frequency (Hz)	Rated rotate speed (r/vmin)	Constant power Highest rotate speed (r/min)	Highest rotate speed (r/min)	Rotational inertia (kg. m ²)
CTB-4011ZXD05-XXXXP	11	22/24/27	210	380/350/315	4	17.5	500	1000/1500/2000	2500	0.233
CTB-4015ZXD07-XXXXP	15	28/30/33	191	380/360/330	4	25.9	750	1500/2200/3000	4000	0.233
CTB-4022ZXD10-XXXXP	22	41/43/50	210	380/360/310	4	34.3	1000	2000/3000/4000	6000	0.233
CTB-4030ZXD15-XXXXP	30	55/58/62	191	380/360/340	4	50.8	1500	3000/4500/6000	6000	0.233

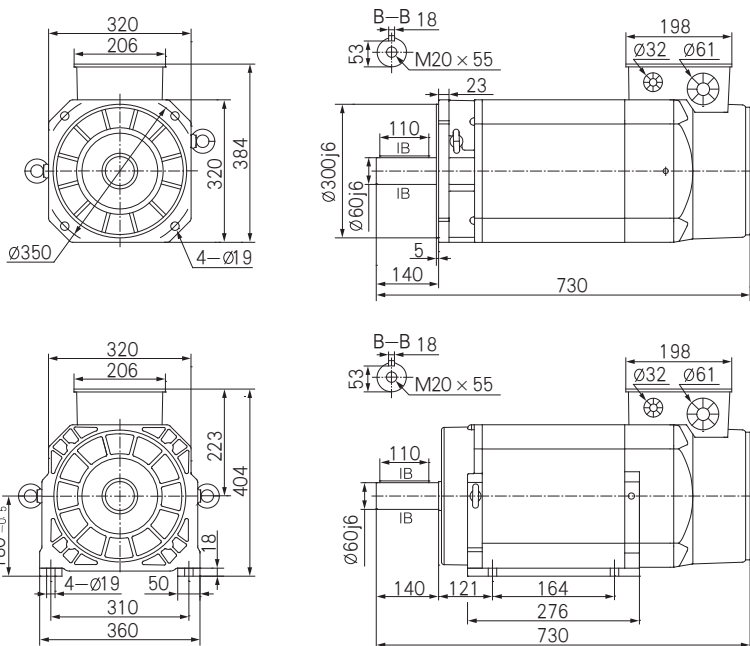
Characteristic curve



Performance index

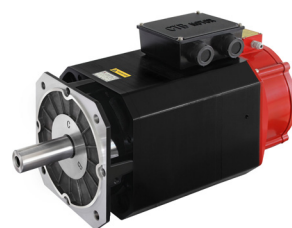
Name	Index
Encoder (Can choose)	CE15-2500 (incremental)
	RZ12-1024 (rotating transformer)
	SC-2048 (Sin-Cos)
Shaft extension structure	G:optical axis
	J:key slot
Installation method	B3 B5 B35
Weight /gross weight	225 (237) kg
Protection class	IP55
Insulation class	F class
Rated temperature rise	90 K
Vibration class	S
Noise	≤70dB (A)
Temperature	-15~45°C
Environment humidity	≤95%RH

Shape and installation size



CTB AC servo spindle motor

Motor base model: DP3
shape size 320X320X840mm

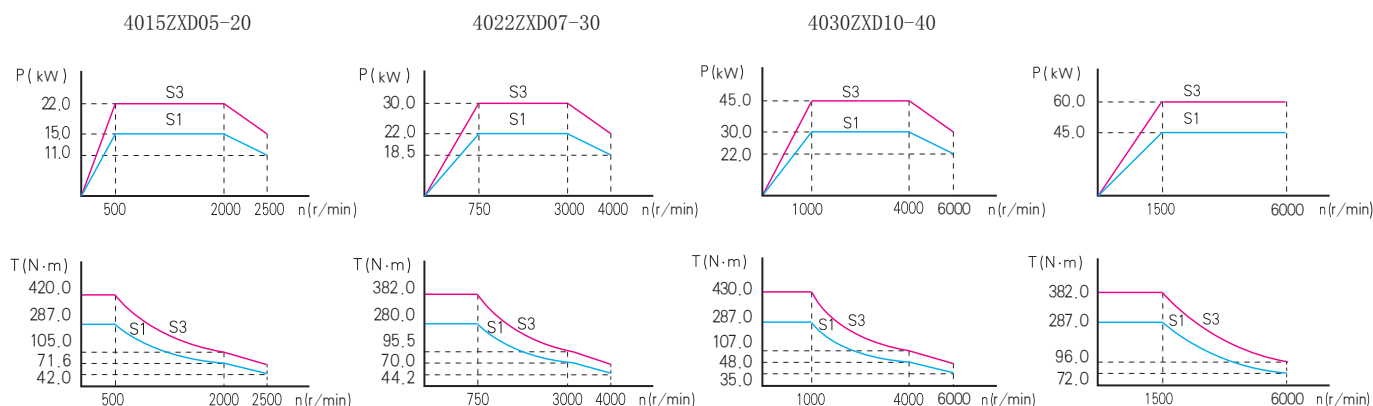


Electricity parameter

Voltage class: 400V connecting method: Y Fan power:800W Fan voltage:380V

Motor model	Rated power (kW)	Rated current (A)	Rated torque (N·m)	Rated voltage (V)	Pole number (P)	Rated frequency (Hz)	Rated rotate speed (r/vmin)	Constant power Highest rotate speed (r/min)	Highest rotate speed (r/min)	Rotational inertia (kg. m ²)
CTB-4015ZXD05-XXXP	15	29/31/34	287	380/360/325	4	17.4	500	1000/1500/2000	2500	0.347
CTB-4022ZXD07-XXXP	22	41/43/47	280	380/360/330	4	25.7	750	1500/2200/3000	4000	0.347
CTB-4030ZXD10-XXXP	30	55/58/67	287	380/360/310	4	34.1	1000	2000/3000/4000	6000	0.347
CTB-4045ZXD15-XXXP	45	80/86/95	287	380/360/325	4	50.8	1500	3000/4500/6000	6000	0.347

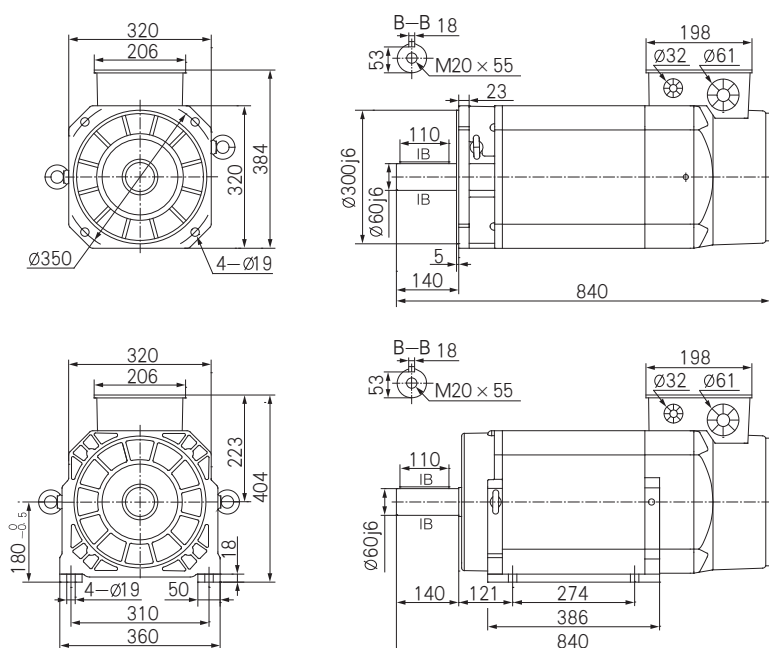
Characteristic curve



Performance index

Name	Index
Encoder (Can choose)	CE15-2500 (incremental)
	RZ12-1024 (rotating transformer)
	SC-2048 (Sin-Cos)
Shaft extension structure	G:optical axis
	J:key slot
Installation method	B3 B5 B35
Weight /gross weight	290 (302) kg
Protection class	IP55
Insulation class	F class
Rated temperature rise	90 K
Vibration class	S
Noise	≤70dB (A)
Temperature	-15~45°C
Environment humidity	≤95%RH

Shape and installation size



CTB AC servo spindle motor

Motor base model: DP4
shape size 320X320X920mm

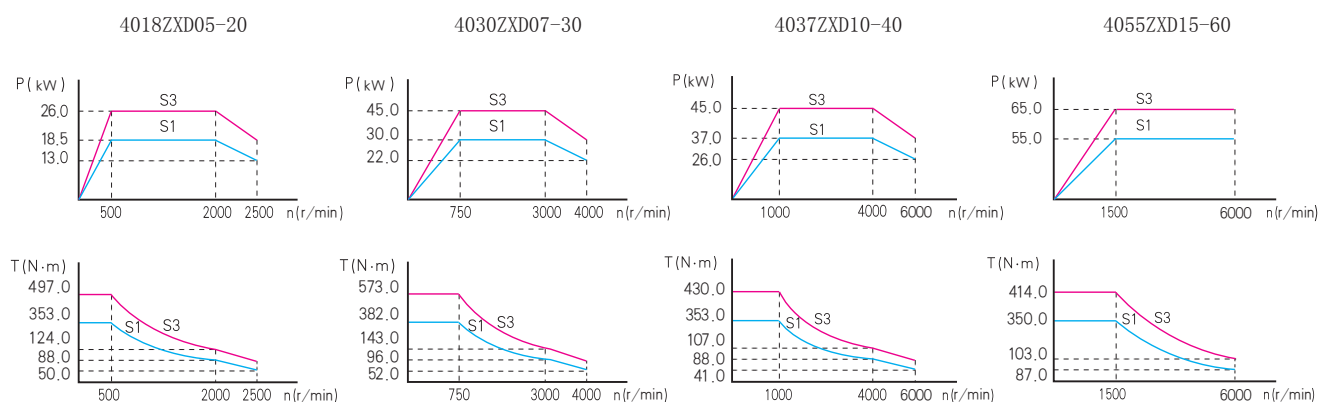


Electricity parameter

Voltage class: 400V connecting method: Y Fan power:800W Fan voltage:380V

Motor model	Rated power (kW)	Rated current (A)	Rated torque (N·m)	Rated voltage (V)	Pole number (P)	Rated frequency (Hz)	Rated rotate speed (r/vmin)	Constant power Highest rotate speed (r/min)	Highest rotate speed (r/min)	Rotational inertia (kg. m ²)
CTB-4018ZXD05-XXXP	18.5	35/37/43	353	380/360/315	4	17.3	500	1000/1500/2000	2500	0.429
CTB-4030ZXD07-XXXP	30	55/59/67	382	380/360/315	4	25.8	750	1500/2200/3000	4000	0.429
CTB-4037ZXD10-XXXP	37	67/71/78	353	380/360/315	4	34.0	1000	2000/3000/4000	6000	0.429
CTB-4055ZXD15-XXXP	55	98/105/119	350	380/360/320	4	50.7	1500	3000/4500/6000	6000	0.429

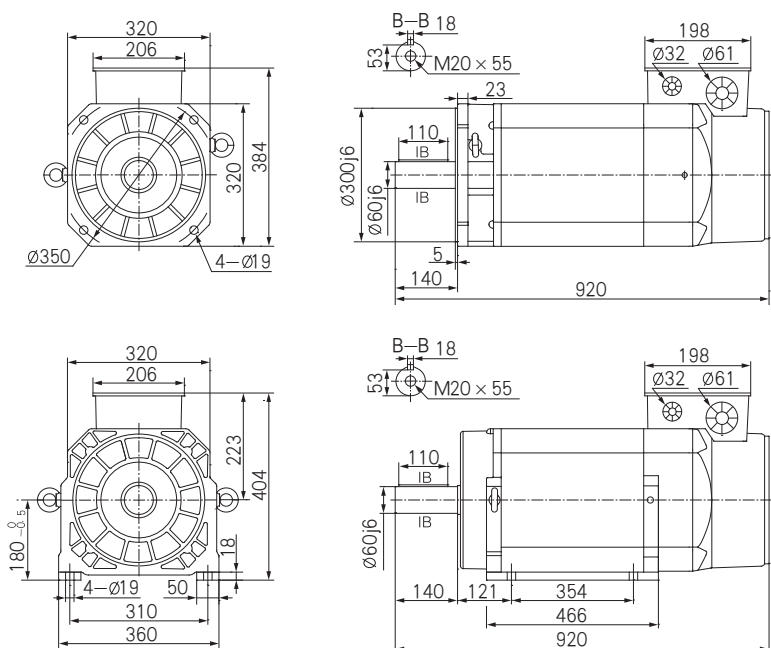
Characteristic curve



Performance index

Name	Index
Encoder (Can choose)	CE15-2500 (incremental)
	RZ12-1024 (rotating transformer)
	SC-2048 (Sin-Cos)
Shaft extension structure	G:optical axis
	J:key slot
Installation method	B3 B5 B35
Weight /gross weight	240 (252) kg
Protection class	IP55
Insulation class	F class
Rated temperature rise	90 K
Vibration class	S
Noise	≤70dB (A)
Temperature	-15~45°C
Environment humidity	≤95%RH

Shape and installation size



CTB AC servo spindle motor

Motor base model: E1
shape size 380X380X815mm

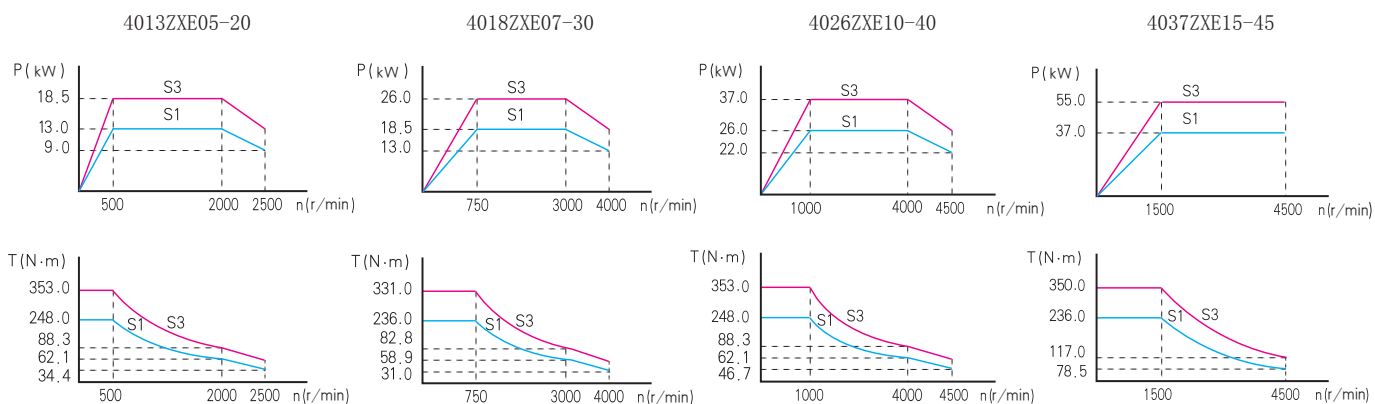


Electricity parameter

Voltage class: 400V connecting method: Δ Fan power: 1.1kW Fan voltage: 380V

Motor model	Rated power (kW)	Rated current (A)	Rated torque (N·m)	Rated voltage (V)	Pole number (P)	Rated frequency (Hz)	Rated rotate speed (r/vmin)	Constant power Highest rotate speed (r/min)	Highest rotate speed (r/min)	Rotational inertia (kg. m ²)
CTB-4013ZXE05-XXX	13	25.6/25.9/27.1	248	380/375/360	4	17.5	500	1000/1500/2000	2500	0.361
CTB-4018ZXE07-XXX	18.5	35.3/35.6/36.6	236	380/375/370	4	25.8	750	1500/2200/3000	4500	0.361
CTB-4026ZXE10-XXX	26	48.5/48.9/51.4	248	380/375/360	4	34.2	1000	2000/3000/4000	4500	0.361
CTB-4037ZXE15-XXX	37	68.9/68.5	236	380/375	4	50.8	1500	3000/4500	4500	0.361

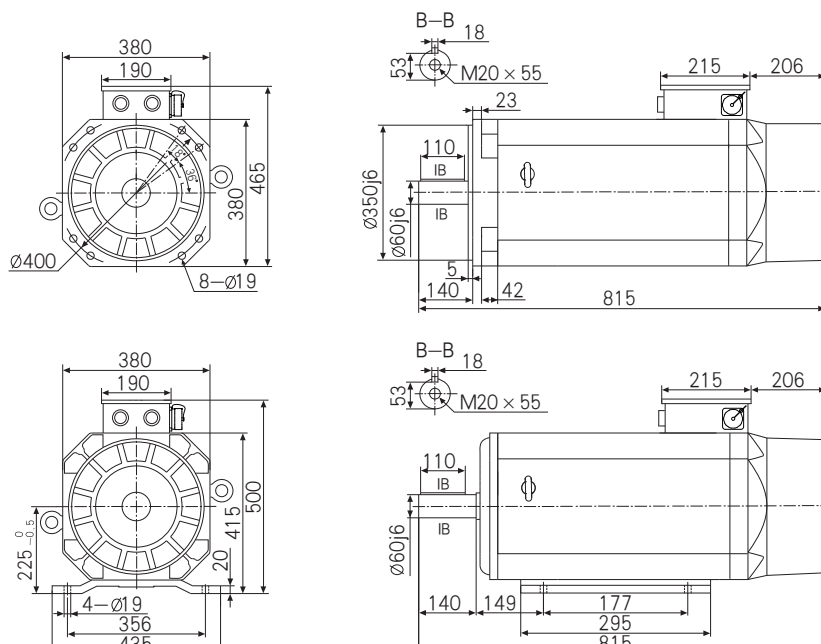
Characteristic curve



Performance index

Name	Index
Encoder (Can choose)	CE30-1024 (incremental)
	CE30-2500 (incremental)
	CE30-8192 (incremental)
	RZ30-1024 (rotating transformer)
Shaft extension structure	G: optical axis
	J: key slot
Installation method	B3 B5 B35
Weight /gross weight	186 (198) kg
Protection class	IP55
Insulation class	F class
Rated temperature rise	90 K
Vibration class	S
Noise	≤ 70dB (A)
Temperature	-15~45°C
Environment humidity	≤ 95%RH

Shape and installation size



CTB AC servo spindle motor

Motor base model: E2
shape size 380X380X855mm

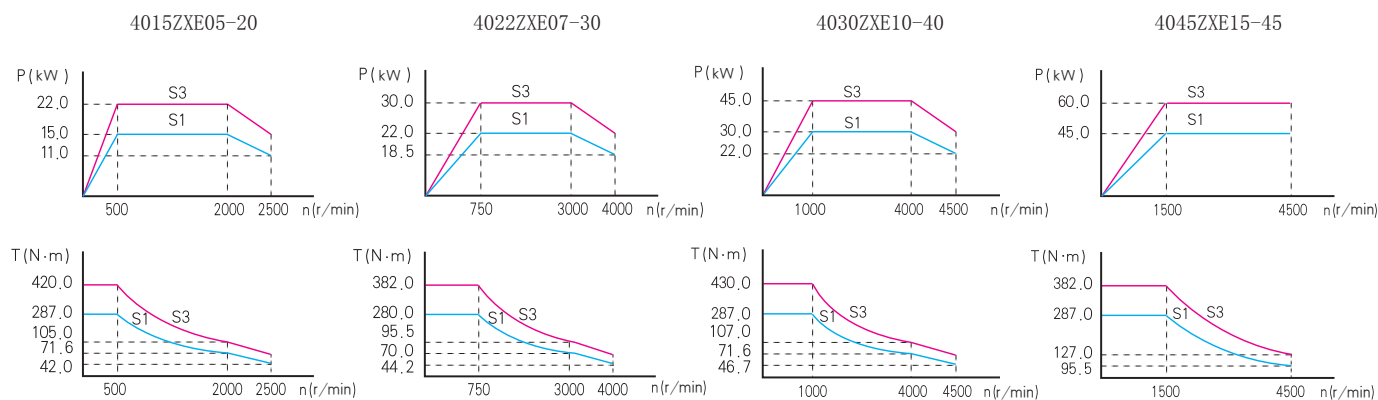


Electricity parameter

Voltage class: 400V connecting method: Δ Fan power:1.1kW Fan voltage:380V

Motor model	Rated power (kW)	Rated current (A)	Rated torque (N·m)	Rated voltage (V)	Pole number (P)	Rated frequency (Hz)	Rated rotate speed (r/vmin)	Constant power Highest rotate speed (r/min)	Highest rotate speed (r/min)	Rotational inertia (kg. m ²)
CTB-4015ZXE05-XXX	15	29.4/29.7/30.0	287	380/375/370	4	17.5	500	1000/1500/2000	2500	0.412
CTB-4022ZXE07-XXX	22	41.6/42.0/42.4	280	380/375/370	4	25.8	750	1500/2200/3000	4000	0.412
CTB-4030ZXE10-XXX	30	55.3/55.9/58.8	287	380/375/360	4	34.1	1000	2000/3000/4000	4500	0.412
CTB-4045ZXE15-XXX	45	83.3/83.9	287	380/375	4	50.7	1500	3000/4500	4500	0.412

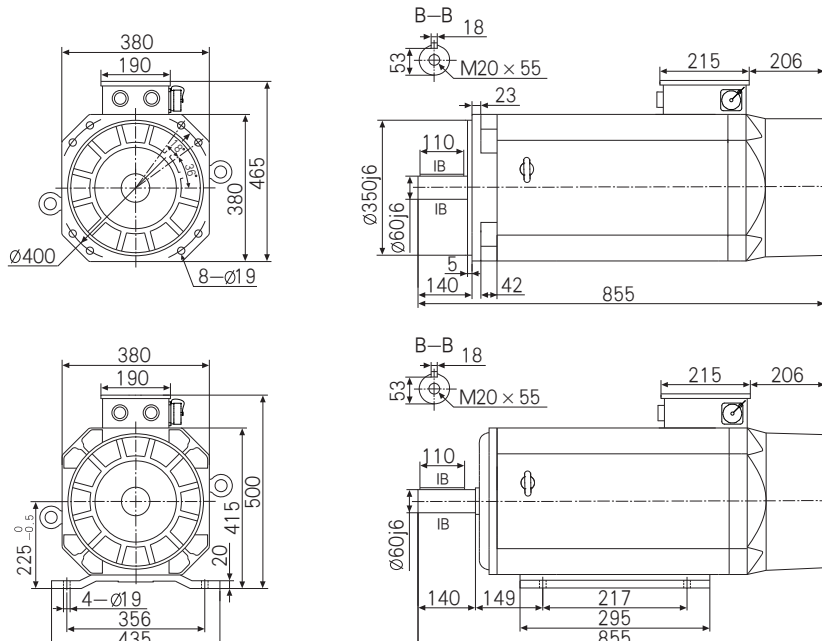
Characteristic curve



Performance index

Name	Index
Encoder (Can choose)	CE30-1024(incremental)
	CE30-2500(incremental)
	CE30-8192(incremental)
	RZ30-1024(rotating transformer)
Shaft extension structure	G:optical axis
	J:key slot
Installation method	B3 B5 B35
Weight /gross weight	360 (375)kg
Protection class	IP55
Insulation class	F class
Rated temperature rise	90 K
Vibration class	S
Noise	≤70dB(A)
Temperature	-15~45°C
Environment humidity	≤95%RH

Shape and installation size



CTB AC servo spindle motor

Motor base model: E3
shape size 380X380X945mm

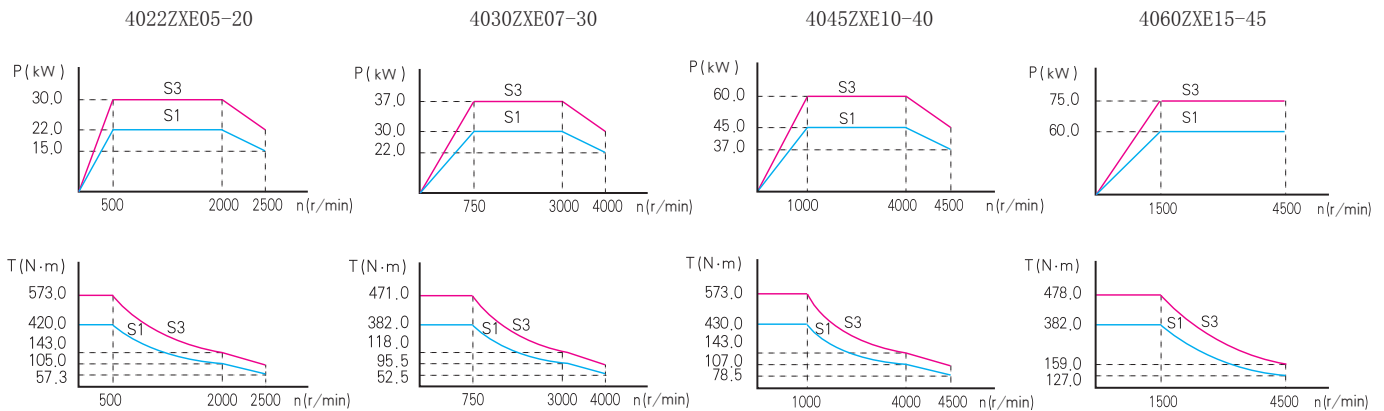


Electricity parameter

Voltage class: 400V connecting method: Δ Fan power: 1.1kW Fan voltage: 380V

Motor model	Rated power (kW)	Rated current (A)	Rated torque (N·m)	Rated voltage (V)	Pole number (P)	Rated frequency (Hz)	Rated rotate speed (r/vmin)	Constant power Highest rotate speed (r/min)	Highest rotate speed (r/min)	Rotational inertia (kg. m ²)
CTB-4022ZXE05-XXX	22	42.7/43.2/43.7	420	380/375/370	4	17.5	500	1000/1500/2000	2500	0.559
CTB-4030ZXE07-XXX	30	57.1/57.5/58.0	382	380/375/370	4	25.7	750	1500/2200/3000	4000	0.559
CTB-4045ZXE10-XXX	45	82.9/83.7/90.3	430	380/375/355	4	34.1	1000	2000/3000/4000	4500	0.559
CTB-4060ZXE15-XXX	60	108.7/109.6	382	380/375	4	50.8	1500	3000/4500	4500	0.559

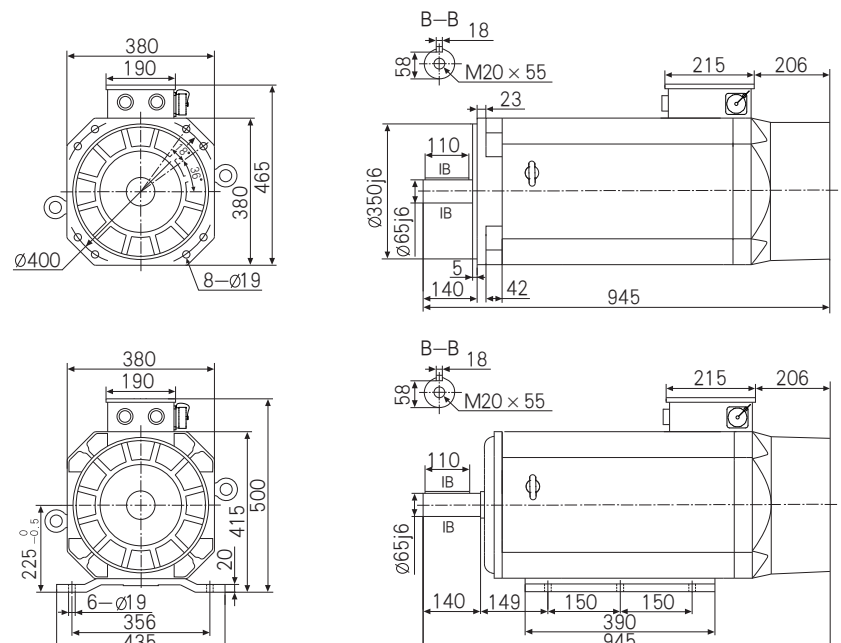
Characteristic curve



Performance index

Name	Index
Encoder (Can choose)	CE30-1024 (incremental)
	CE30-2500 (incremental)
	CE30-8192 (incremental)
	RZ30-1024 (rotating transformer)
Shaft extension structure	G: optical axis
	J: key slot
Installation method	B3 B5 B35
Weight /gross weight	430 (445) kg
Protection class	IP55
Insulation class	F class
Rated temperature rise	90 K
Vibration class	S
Noise	≤70dB(A)
Temperature	-15~45°C
Environment humidity	≤95%RH

Shape and installation size



CTB AC servo spindle motor

Motor base model: E4
shape size 380X380X1015mm

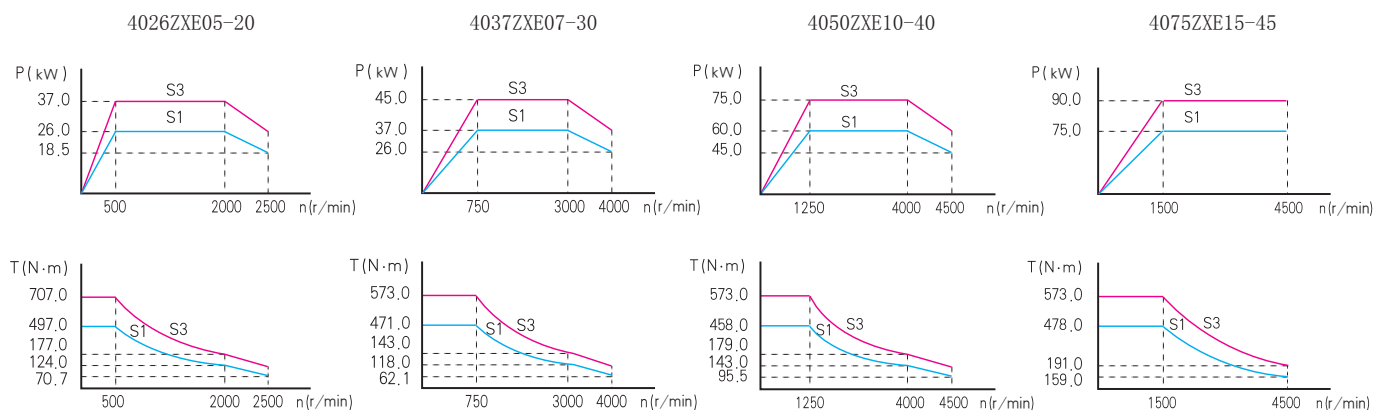


Electricity parameter

Voltage class: 400V connecting method: Δ Fan power: 1.1kW Fan voltage: 380V

Motor model	Rated power (kW)	Rated current (A)	Rated torque (N·m)	Rated voltage (V)	Pole number (P)	Rated frequency (Hz)	Rated rotate speed (r/vmin)	Constant power Highest rotate speed (r/min)	Highest rotate speed (r/min)	Rotational inertia (kg·m ²)
CTB-4026ZXE05-XXX	26	50.1/50.6/51.2	497	380/375/370	4	17.5	500	1000/1500/2000	2500	0.618
CTB-4037ZXE07-XXX	37	69.5/70.1/70.7	471	380/375/370	4	25.8	750	1500/2200/3000	4000	0.618
CTB-4050ZXE10-XXX	50	91.9/92.8/97.2	458	380/375/360	4	34.1	1000	2000/3000/4000	4500	0.618
CTB-4075ZXE15-XXX	75	138.6/139.4	478	380/375	4	50.7	1500	3000/4500	4500	0.618

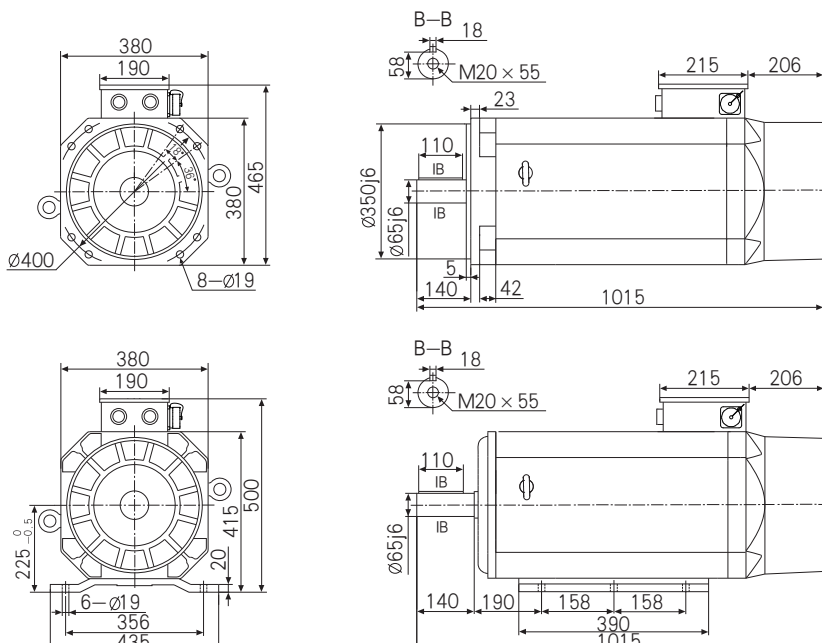
Characteristic curve



Performance index

Name	Index
Encoder (Can choose)	CE30-1024 (incremental)
	CE30-2500 (incremental)
	CE30-8192 (incremental)
	RZ30-1024 (rotating transformer)
Shaft extension structure	G: optical axis
	J: key slot
Installation method	B3 B5 B35
Weight /gross weight	500 (515) kg
Protection class	IP55
Insulation class	F class
Rated temperature rise	90 K
Vibration class	S
Noise	≤ 70dB (A)
Temperature	-15~45°C
Environment humidity	≤ 95%RH

Shape and installation size



CTB AC servo spindle motor

Motor base model: F1
shape size 470X470X990mm

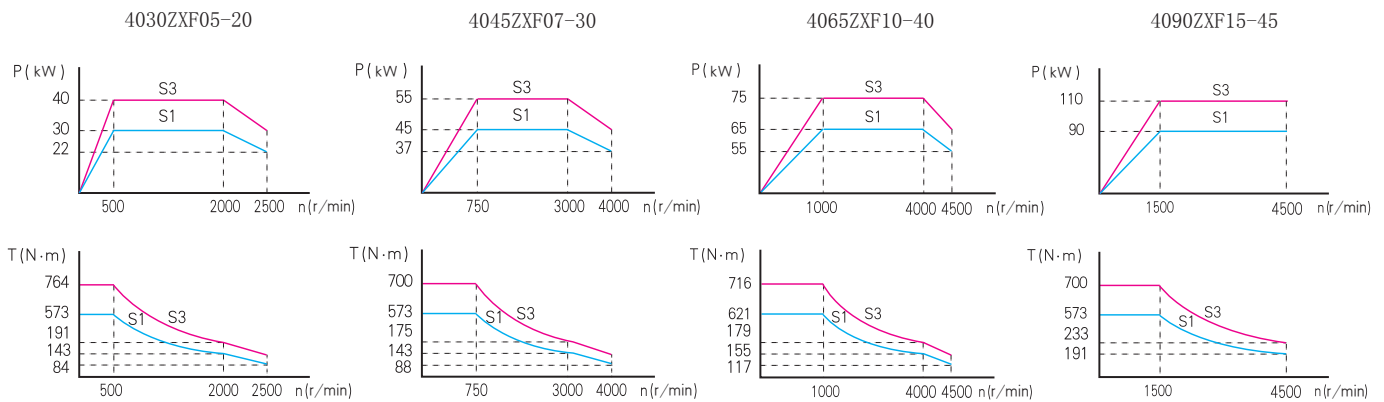


Electricity parameter

Voltage class: 400V connecting method: Δ Fan power:1.5kW Fan voltage:380V

Motor model	Rated power (kW)	Rated current (A)	Rated torque (N·m)	Rated voltage (V)	Pole number (P)	Rated frequency (Hz)	Rated rotate speed (r/vmin)	Constant power Highest rotate speed (r/min)	Highest rotate speed (r/min)	Rotational inertia (kg. m ²)
CTB-4030ZXF05-XXX	30	54/59/63	573	380/350/330	4	17.2	500	1000/1500/2000	2500	1.1404
CTB-4045ZXF07-XXX	45	80/87/92	573	380/350/330	4	25.5	750	1500/2200/3000	4000	1.1404
CTB-4065ZXF10-XXX	65	114/124/140	621	380/350/310	4	33.9	1000	2000/3000/4000	4500	1.1404
CTB-4090ZXF15-XXX	90	156/169	573	380/350	4	50.6	1500	3000/4500	4500	1.1404

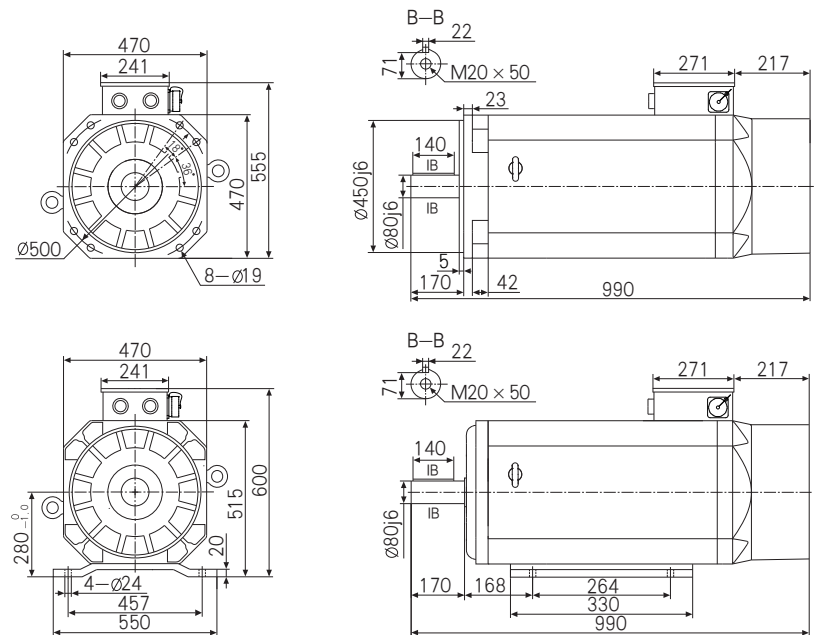
Characteristic curve



Performance index

Name	Index
Encoder (Can choose)	CE30-1024 (incremental)
	CE30-2500 (incremental)
	CE30-8192 (incremental)
	RZ30-1024 (rotating transformer)
Shaft extension structure	G:optical axis
	J:key slot
Installation method	B3 B5 B35
Weight /gross weight	620 (640) kg
Protection class	IP55
Insulation class	F class
Rated temperature rise	90 K
Vibration class	S
Noise	≤ 70 dB(A)
Temperature	-15~45°C
Environment humidity	$\leq 95\%$ RH

Shape and installation size



CTB AC servo spindle motor

Motor base model: F2
shape size 470X470X1050mm

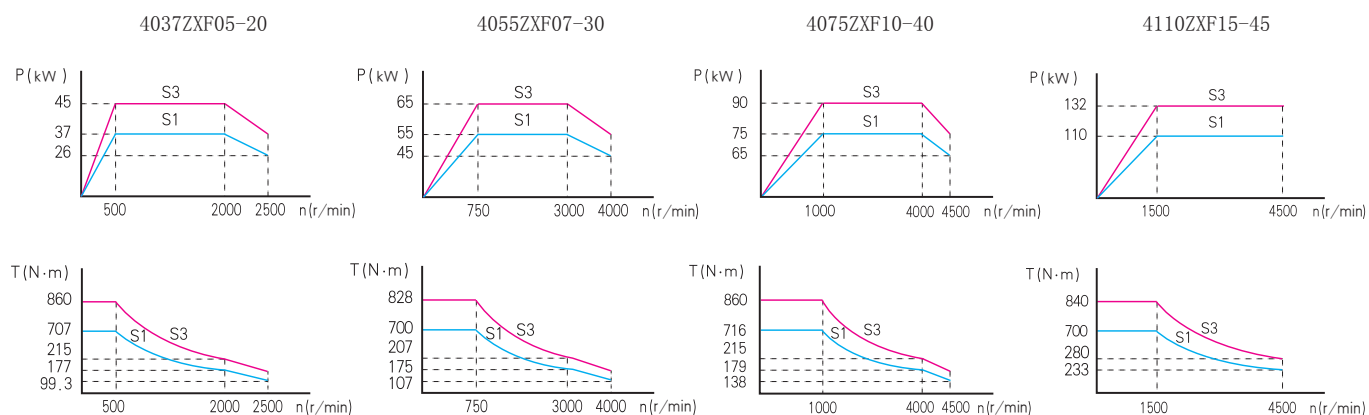


Electricity parameter

Voltage class: 400V connecting method: Δ Fan power:1.5kW Fan voltage:380V

Motor model	Rated power (kW)	Rated current (A)	Rated torque (N·m)	Rated voltage (V)	Pole number (P)	Rated frequency (Hz)	Rated rotate speed (r/vmin)	Constant power Highest rotate speed (r/min)	Highest rotate speed (r/min)	Rotational inertia (kg·m ²)
CTB-4037ZXF05-XXX	37	67/72/77	707	380/355/330	4	17.2	500	1000/1500/2000	2500	1.324
CTB-4055ZXF07-XXX	55	97/106/118	700	380/350/315	4	25.5	750	1500/2200/3000	4000	1.324
CTB-4075ZXF10-XXX	75	131/143/161	716	380/350/310	4	33.9	1000	2000/3000/4000	4500	1.324
CTB-4110ZXF15-XXX	110	190/212	700	380/340	4	50.5	1500	3000/4500	4500	1.324

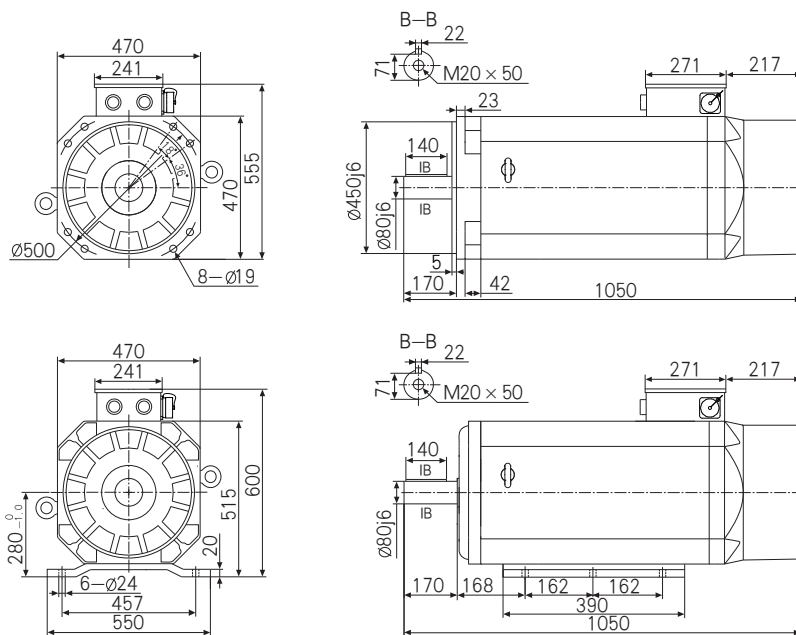
Characteristic curve



Performance index

Name	Index
Encoder (Can choose)	CE30-1024 (incremental)
	CE30-2500 (incremental)
	CE30-8192 (incremental)
	RZ30-1024 (rotating transformer)
Shaft extension structure	G:optical axis
	J:key slot
Installation method	B3 B5 B35
Weight /gross weight	620 (640) kg
Protection class	IP55
Insulation class	F class
Rated temperature rise	90 K
Vibration class	S
Noise	≤ 70 dB(A)
Temperature	-15~45°C
Environment humidity	$\leq 95\%$ RH

Shape and installation size



CTB AC servo spindle motor

Motor base model: F3
shape size 470X470X1120mm

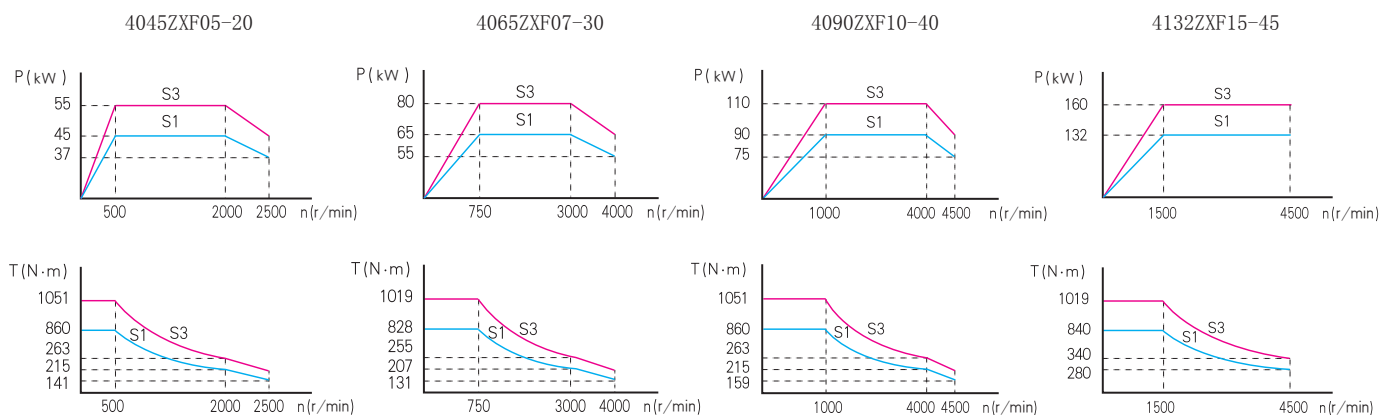


Electricity parameter

Voltage class: 400V connecting method: Δ Fan power:1.5kW Fan voltage:380V

Motor model	Rated power (kW)	Rated current (A)	Rated torque (N·m)	Rated voltage (V)	Pole number (P)	Rated frequency (Hz)	Rated rotate speed (r/vmin)	Constant power Highest rotate speed (r/min)	Highest rotate speed (r/min)	Rotational inertia (kg·m ²)
CTB-4045ZXF05-XXX	45	81/99/96	860	380/345/320	4	17.2	500	1000/1500/2000	2500	1.539
CTB-4065ZXF07-XXX	65	115/126/136	828	380/345/320	4	25.6	750	1500/2200/3000	4000	1.539
CTB-4090ZXF10-XXX	90	157/171/192	860	380/350/310	4	33.9	1000	2000/3000/4000	4500	1.539
CTB-4132ZXF15-XXX	132	227/251	840	380/345	4	50.5	1500	3000/4500	4500	1.539

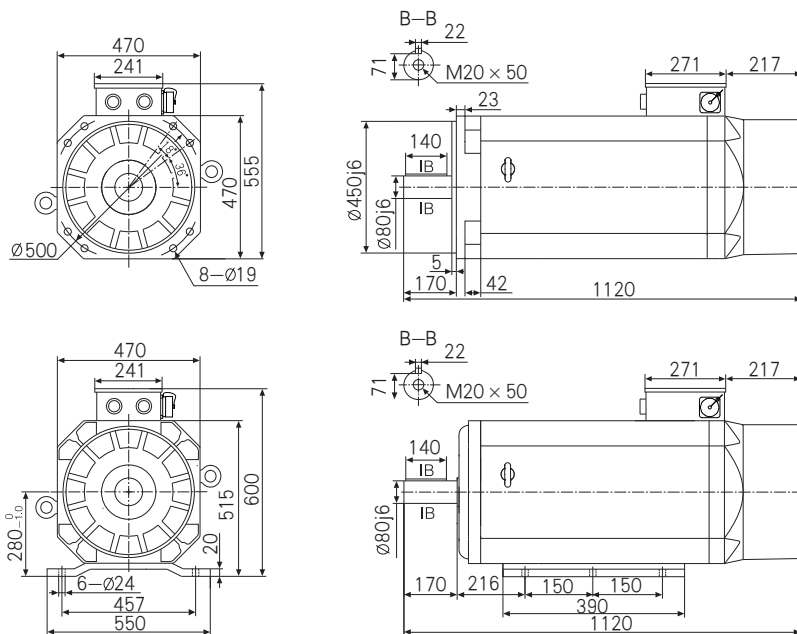
Characteristic curve



Performance index

Name	Index
Encoder (Can choose)	CE30-1024 (incremental)
	CE30-2500 (incremental)
	CE30-8192 (incremental)
	RZ30-1024 (rotating transformer)
Shaft extension structure	G:optical axis
	J:key slot
Installation method	B3 B5 B35
Weight /gross weight	800 (820) kg
Protection class	IP55
Insulation class	F class
Rated temperature rise	90 K
Vibration class	S
Noise	≤ 70 dB(A)
Temperature	$-15 \sim 45^{\circ}\text{C}$
Environment humidity	$\leq 95\%$ RH

Shape and installation size



CTB AC servo spindle motor

Motor base model: F4
shape size 470X470X1240mm

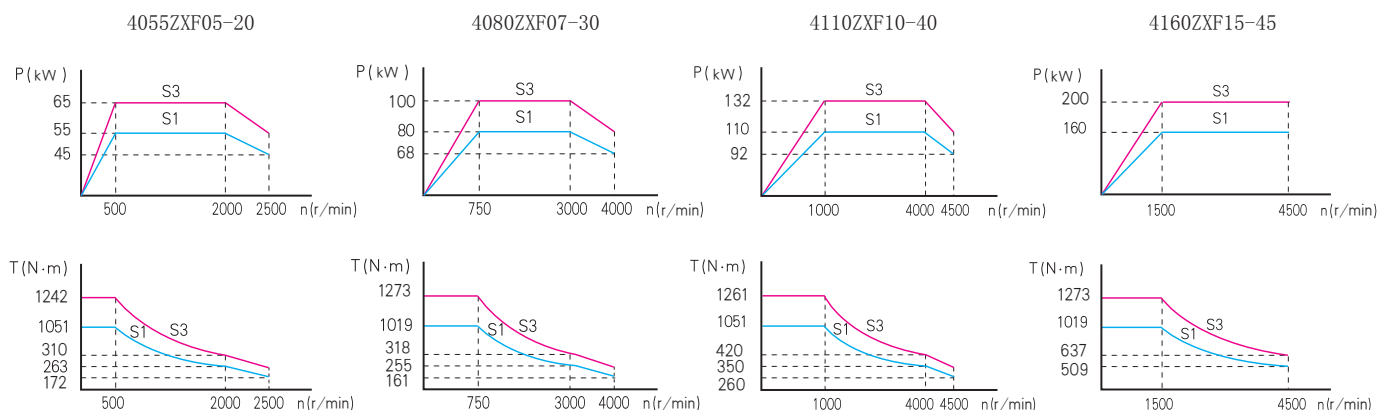


Electricity parameter

Voltage class: 400V connecting method: Δ Fan power: 1.5kW Fan voltage: 380V

Motor model	Rated power (kW)	Rated current (A)	Rated torque (N·m)	Rated voltage (V)	Pole number (P)	Rated frequency (Hz)	Rated rotate speed (r/vmin)	Constant power Highest rotate speed (r/min)	Highest rotate speed (r/min)	Rotational inertia (kg. m ²)
CTB-4055ZXF05-XXX	55	98/107/114	1051	380/350/330	4	17.2	500	1000/1500/2000	2500	1.539
CTB-4080ZXF07-XXX	80	140/152/161	1019	380/350/330	4	25.5	750	1500/2200/3000	4000	1.539
CTB-4110ZXF10-XXX	110	191/207/234	1051	380/350/310	4	33.9	1000	2000/3000/4000	4500	1.539
CTB-4160ZXF15-XXX	160	275/316	1019	380/330	4	50.5	1500	3000/4500	4500	1.539

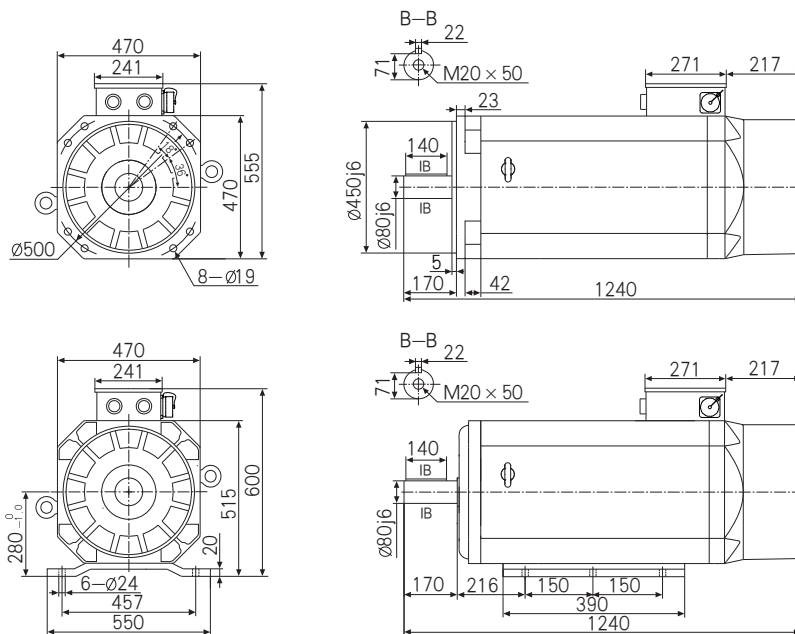
Characteristic curve



Performance index

Name	Index
Encoder (Can choose)	CE30-1024 (incremental)
	CE30-2500 (incremental)
	CE30-8192 (incremental)
	RZ30-1024 (rotating transformer)
Shaft extension structure	G: optical axis
	J: key slot
Installation method	B3 B5 B35
Weight /gross weight	850 (870) kg
Protection class	IP55
Insulation class	F class
Rated temperature rise	90 K
Vibration class	S
Noise	≤ 70 dB(A)
Temperature	-15 ~ 45 °C
Environment humidity	$\leq 95\%$ RH

Shape and installation size



CTB AC servo spindle motor

Motor base model: G1
shape size 620X620X1275mm

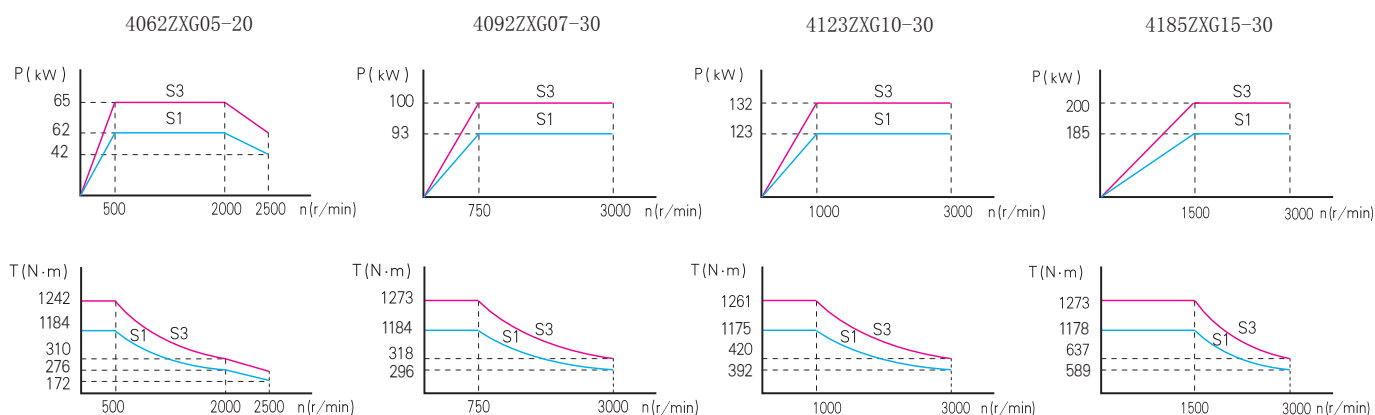


Electricity parameter

Voltage class: 400V connecting method: Δ Fan power: 1.5kW Fan voltage: 380V

Motor model	Rated power (kW)	Rated current (A)	Rated torque (N·m)	Rated voltage (V)	Pole number (P)	Rated frequency (Hz)	Rated rotate speed (r/vmin)	Constant power Highest rotate speed (r/min)	Highest rotate speed (r/min)	Rotational inertia (kg·m ²)
CTB-4062ZXG05-XXX	62	108/109/110	1184	380/375/370	4	17.1	500	1000/1500/2000	2500	3.85
CTB-4093ZXG07-XXX	93	158/160/172	1184	380/375/350	4	25.4	750	1500/2200/3000	3000	3.85
CTB-4123ZXG10-XXX	123	210/212	1175	380/375	4	33.7	1000	2000/3000	3000	3.85
CTB-4185ZXG15-XXX	185	310	1178	380	4	50.5	1500	3000	3000	3.85

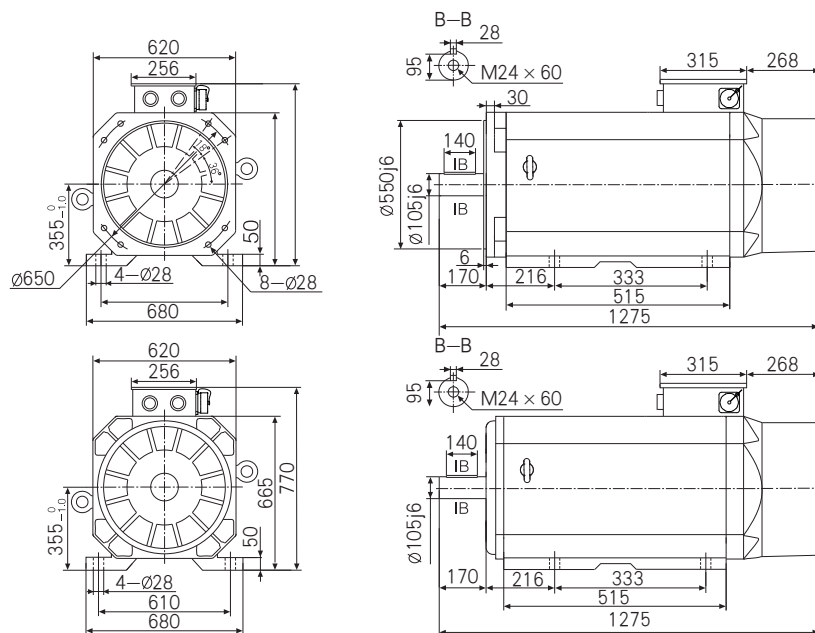
Characteristic curve



Performance index

Name	Index
Encoder (Can choose)	CE30-1024(incremental)
	CE30-2500(incremental)
	CE30-8192(incremental)
	RZ30-1024(rotating transformer)
Shaft extension structure	G:optical axis
	J:key slot
Installation method	B3 B35
Weight /gross weight	1120(1145)kg
Protection class	IP55
Insulation class	F class
Rated temperature rise	90 K
Vibration class	S
Noise	≤ 70 dB(A)
Temperature	-15~45°C
Environment humidity	$\leq 95\%$ RH

Shape and installation size



CTB AC servo spindle motor

Motor base model: G2
shape size 620X620X1275mm

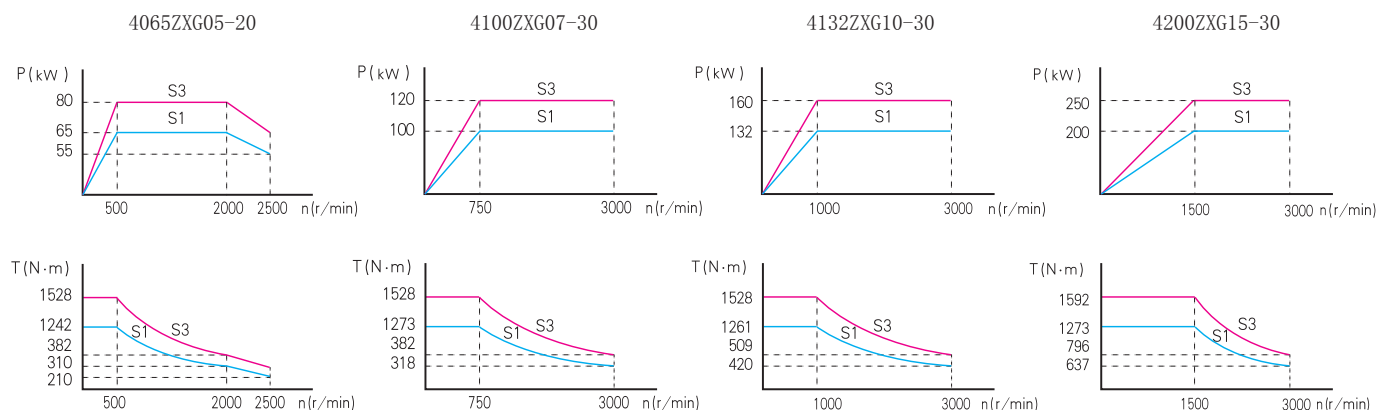


Electricity parameter

Voltage class: 400V connecting method: Δ Fan power:1.5kW Fan voltage:380V

Motor model	Rated power (kW)	Rated current (A)	Rated torque (N·m)	Rated voltage (V)	Pole number (P)	Rated frequency (Hz)	Rated rotate speed (r/vmin)	Constant power Highest rotate speed (r/min)	Highest rotate speed (r/min)	Rotational inertia (kg·m ²)
CTB-4065ZXG05-XXX	65	112/114/115	1242	380/375/370	4	17.1	500	1000/1500/2000	2500	4.66
CTB-4100ZXG07-XXX	100	171/173/175	1273	380/375/370	4	25.4	750	1500/2200/3000	3000	4.66
CTB-4132ZXG10-XXX	132	223/226	1261	380/375	4	33.8	1000	2000/3000	3000	4.66
CTB-4200ZXG15-XXX	200	334	1273	380	4	50.4	1500	3000	3000	4.66

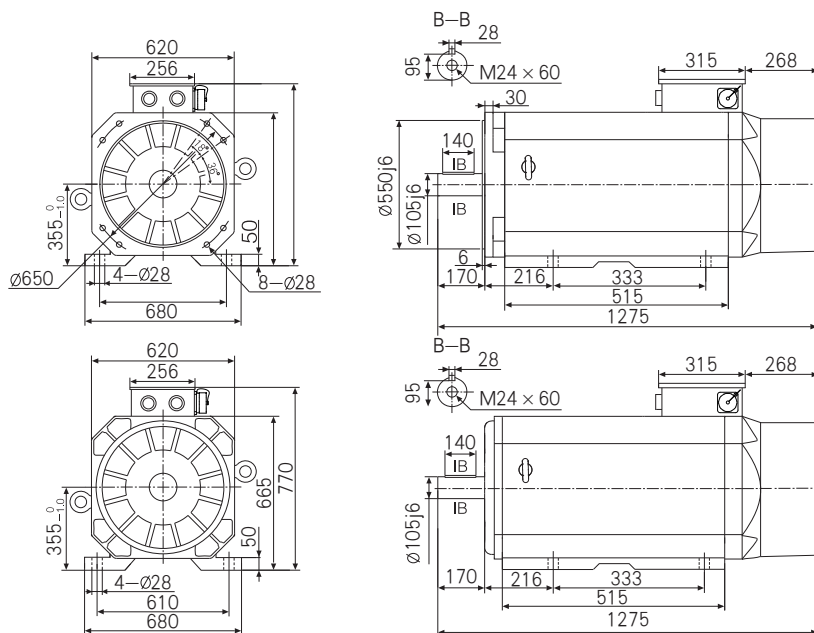
Characteristic curve



Performance index

Name	Index
Encoder (Can choose)	CE30-1024(incremental)
	CE30-2500(incremental)
	CE30-8192(incremental)
	RZ30-1024(rotating transformer)
Shaft extension structure	G:optical axis
	J:key slot
Installation method	B3 B35
Weight /gross weight	1350 (1375) kg
Protection class	IP55
Insulation class	F class
Rated temperature rise	90 K
Vibration class	S
Noise	≤70dB(A)
Temperature	-15~45°C
Environment humidity	≤95%RH

Shape and installation size



CTB AC servo spindle motor

Motor base model: G3
shape size 620X620X1510mm

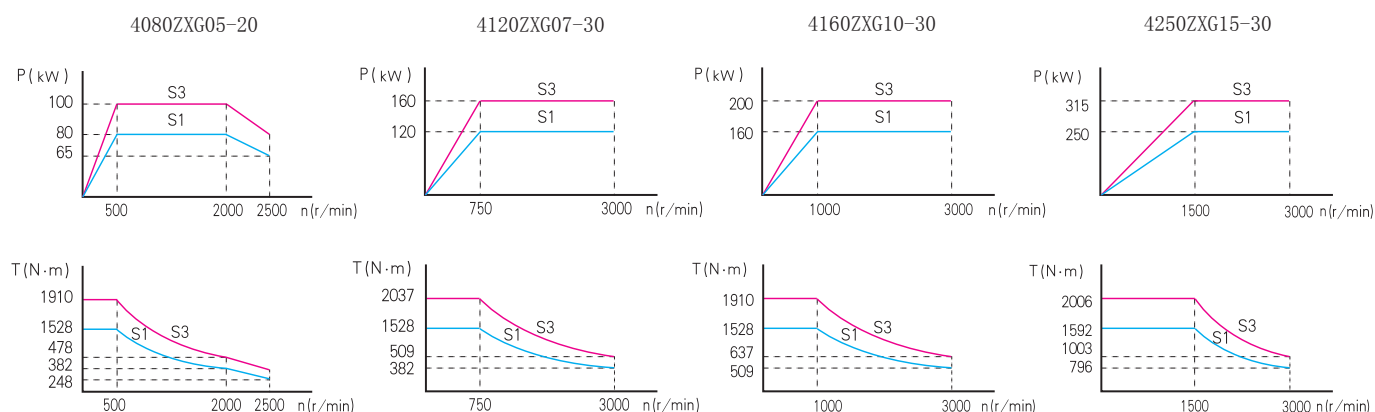


Electricity parameter

Voltage class: 400V connecting method: Δ Fan power: 1.5kW Fan voltage: 380V

Motor model	Rated power (kW)	Rated current (A)	Rated torque (N·m)	Rated voltage (V)	Pole number (P)	Rated frequency (Hz)	Rated rotate speed (r/vmin)	Constant power Highest rotate speed (r/min)	Highest rotate speed (r/min)	Rotational inertia (kg. m ²)
CTB-4080ZXG05-XXX	80	138/140/142	1528	380/375/370	4	17.1	500	1000/1500/2000	2500	5.67
CTB-4120ZXG07-XXX	120	204/206/209	1528	380/375/370	4	25.3	750	1500/2200/3000	3000	5.67
CTB-4160ZXG10-XXX	160	270/273	1528	380/375	4	33.7	1000	2000/3000	3000	5.67
CTB-4250ZXG15-XXX	250	416	1592	380	4	50.5	1500	3000	3000	5.67

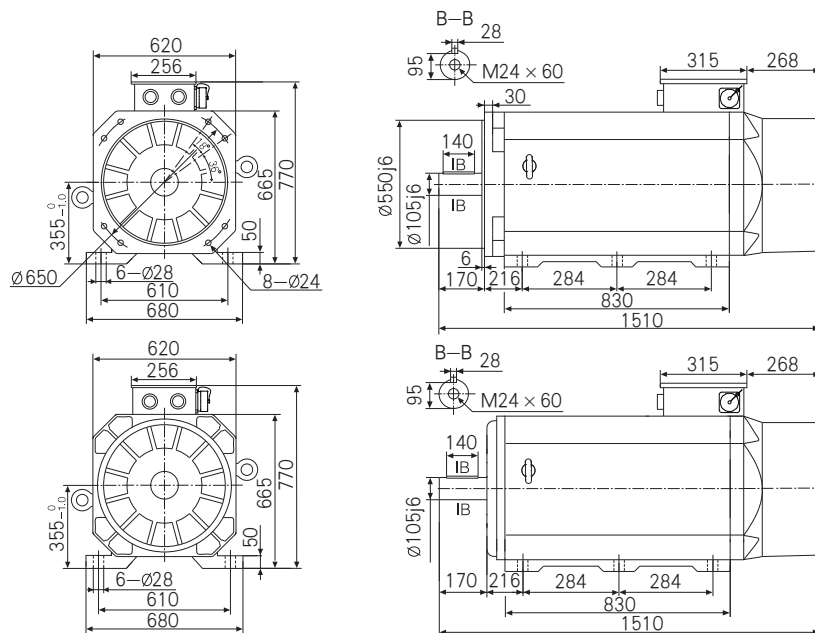
Characteristic curve



Performance index

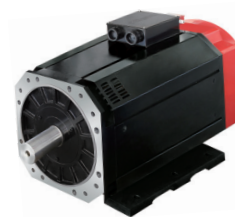
Shape and installation size

Name	Index
Encoder (Can choose)	CE30-1024 (incremental)
	CE30-2500 (incremental)
	CE30-8192 (incremental)
	RZ30-1024 (rotating transformer)
Shaft extension structure	G: optical axis
	J: key slot
Installation method	B3 B35
Weight /gross weight	1640 (1670) kg
Protection class	IP55
Insulation class	F class
Rated temperature rise	90 K
Vibration class	S
Noise	≤ 70dB (A)
Temperature	-15 ~ 45°C
Environment humidity	≤ 95%RH



CTB AC servo spindle motor

Motor base model: G4
shape size 620X620X1510mm

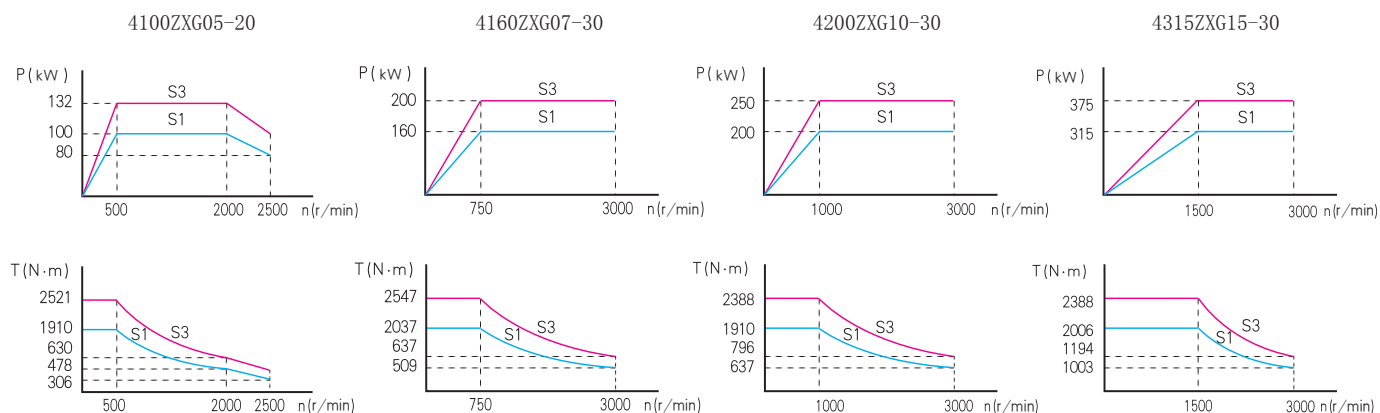


Electricity parameter

Voltage class: 400V connecting method: Δ Fan power:1.5kW Fan voltage:380V

Motor model	Rated power (kW)	Rated current (A)	Rated torque (N·m)	Rated voltage (V)	Pole number (P)	Rated frequency (Hz)	Rated rotate speed (r/vmin)	Constant power Highest rotate speed (r/min)	Highest rotate speed (r/min)	Rotational inertia (kg·m ²)
CTB-4100ZXG05-XXX	100	172/174/176	1910	380/375/370	4	17.0	500	1000/1500/2000	2500	6.91
CTB-4160ZXG07-XXX	160	272/275/278	2037	380/375/370	4	25.3	750	1500/2200/3000	3000	6.91
CTB-4200ZXG10-XXX	200	335/339	1910	380/375	4	33.7	1000	2000/3000	3000	6.91
CTB-4315ZXG15-XXX	315	523	2006	380	4	50.4	1500	3000	3000	6.91

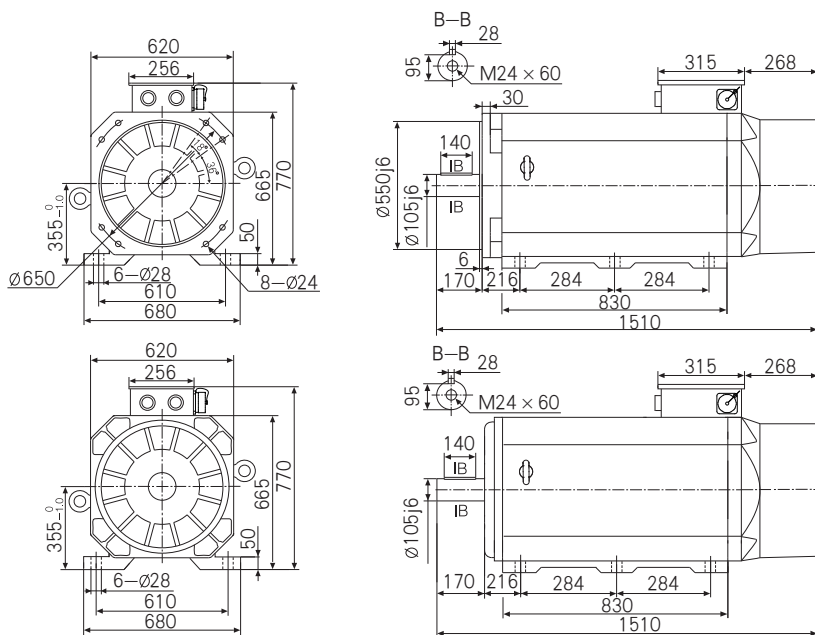
Characteristic curve



Performance index

Name	Index
Encoder (Can choose)	CE30-1024 (incremental)
	CE30-2500 (incremental)
	CE30-8192 (incremental)
	RZ30-1024 (rotating transformer)
Shaft extension structure	G:optical axis
	J:key slot
Installation method	B3 B35
Weight /gross weight	2000 (2030)kg
Protection class	IP55
Insulation class	F class
Rated temperature rise	90 K
Vibration class	S
Noise	≤ 70 dB(A)
Temperature	-15~45°C
Environment humidity	$\leq 95\%$ RH

Shape and installation size



Servo motor applying solutions:

◆ Vertical coordinate axis servo drive solution

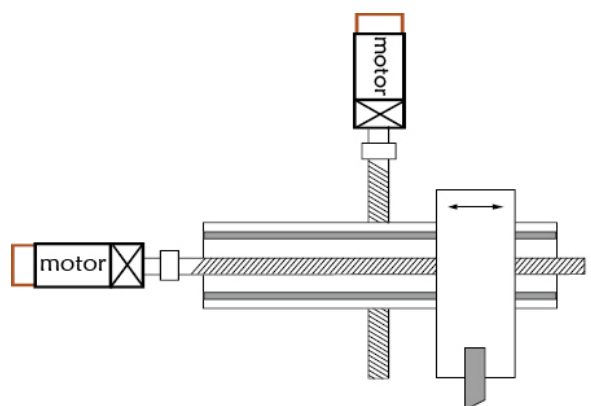
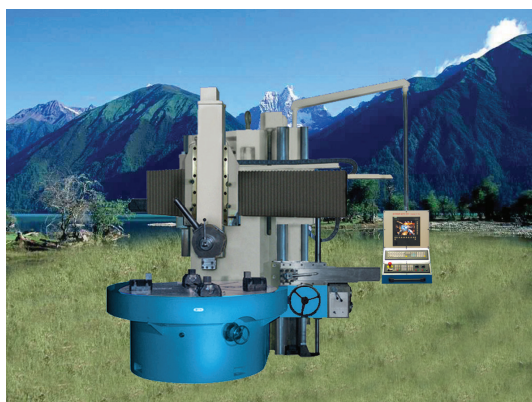
CTB big power servo motor can supply motive power for coordinate axis drive of heavy duty machine such as single column vertical lathe, double column vertical lathe, heavy duty horizontal lathe, gantry machine, floor type boring and milling machine.etc, which can realize servo and automation of coordinate axis drive.

◇ Manual independent operation coordinated with CTB servo drive can achieve hand wheel control, single shaft locating, operation monitoring;

◇ Connected with various CNC control system to complete interpolation control, achieve digital control;

◇ Ultra-low speed feed, operate smoothly, strong overload capacity;

◇ Rapid traverse with high speed, utilize constant power feature of the motor, achieve rapid traverse of high speed.



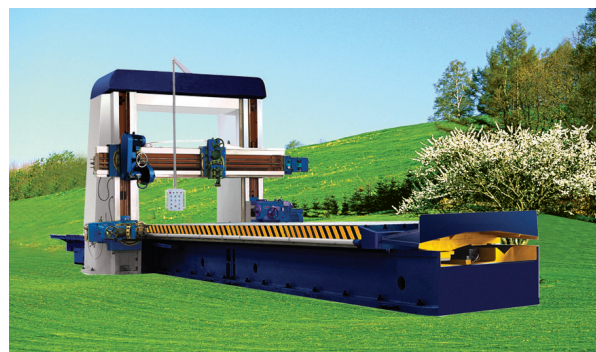
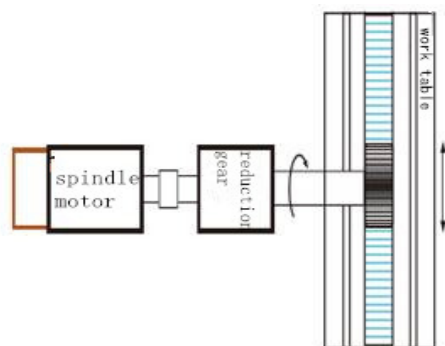
◆ Planer milling machine working table drive solutions

CTB big power servo motor with high control performance applied to double housing planer, milling machine working table drive, which has greatly improved work efficiency and performance of double housing planer, can replace DC motor, switch reluctance motor, variable-frequency and speed motor.

◇ Set work table travel via parameter, simple operation, furthest reduce idle stroke, improve machine tool working efficiency;

◇ Smooth start and reversing, avoid mechanical shock, reduce equipment failure rate;

◇ Convenience with different control system interface, achieve recombination of plane and milling

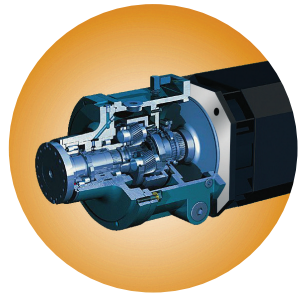
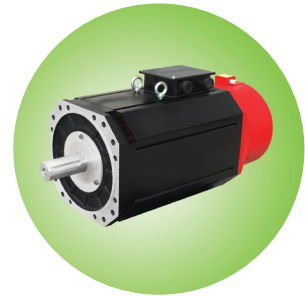
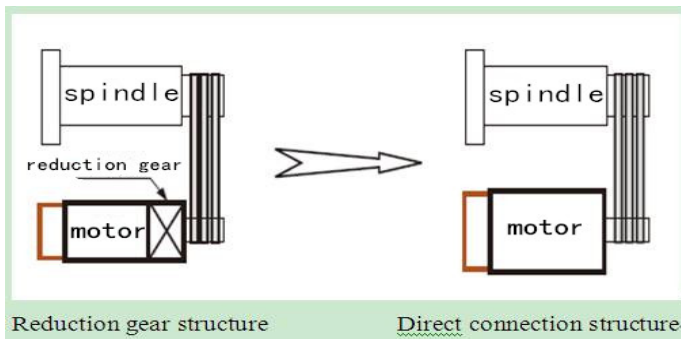


Spindle motor applying solutions

◆ Low speed motor instead of reduction gear

Applying CTB low speed motor can drive machine tool spindle directly, cancel mechanical reduction gear within 1:10, spindle mechanical drive becomes simple. Low noise, meanwhile, reduce the cost, machine failure rate.

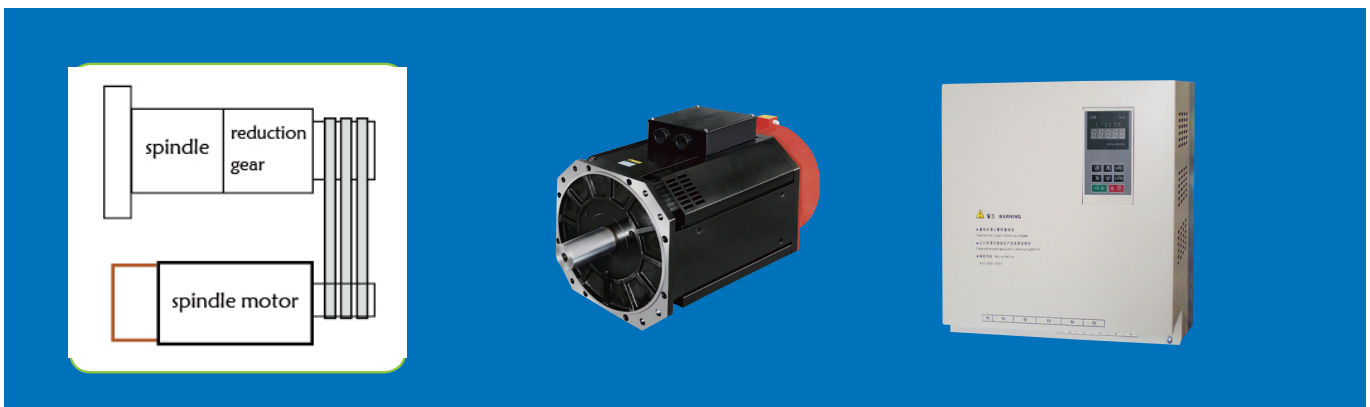
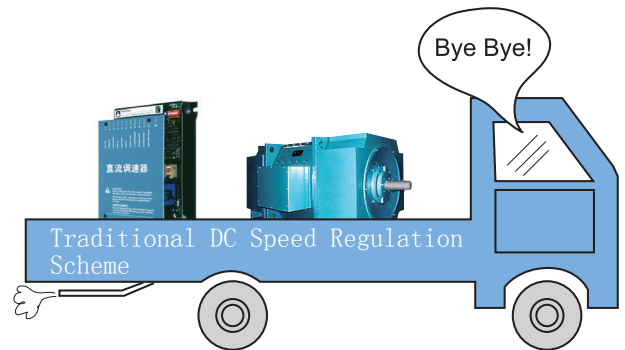
Can widely used in spindle drive of floor type boring and milling machine, heavy duty horizontal lathe, vertical lathe, planer milling machine etc.



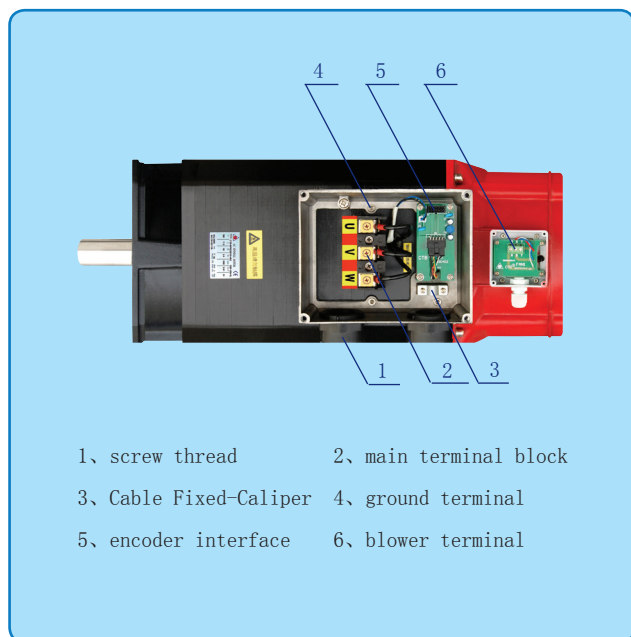
◆ AC spindle motor instead of DC motor

Applying CTB big power ac spindle motor instead of traditional DC motor, widely used in spindle drive of floor type boring and milling machine, heavy duty horizontal lathe, vertical lathe, planer milling machine etc.

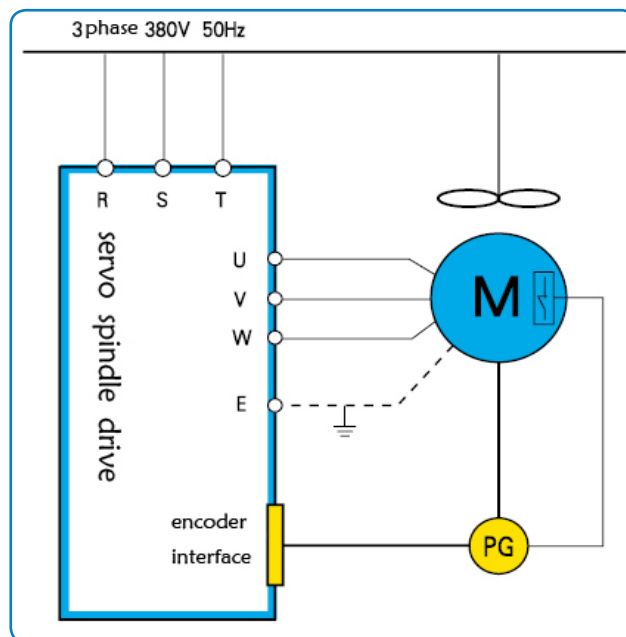
- ◇ Smaller volume compared with same power DC motor, easy installation;
- ◇ Wide range of speed regulation, large constant power area;
- ◇ Low running noise, free maintenance.



◆ Connection wire and interface



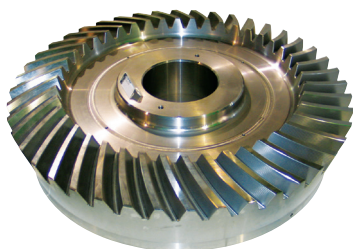
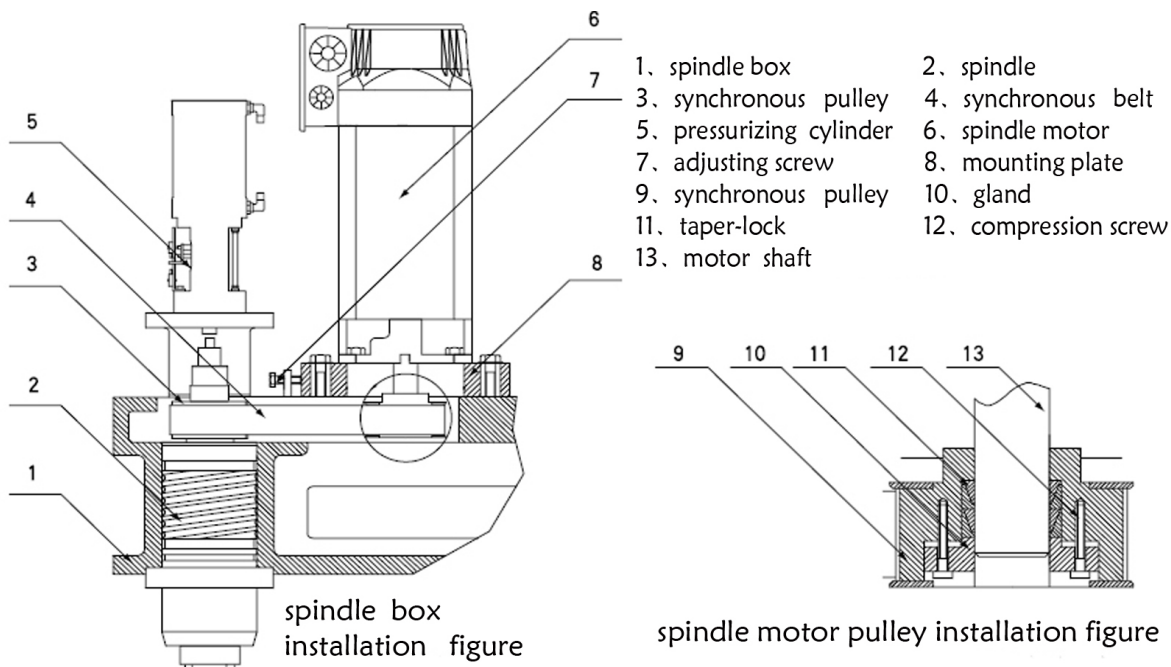
◆ Connection wire figure



◆ Terminal description

Interface	Terminal code	Electric function	Electric index	Remark
Main terminal block	U	U phase lead wire	Withstand voltage 1200V, 3 times rated current	Connected to U/V/W (drive)
	V	V phase lead wire		
	W	W phase lead wire		
Encoder interface (variable frequency spindle motor no this interface)	1	Input power	DC5V, 100mA	Red
	2	Power supply	0V	Black
	3	A+ output	Wire drive output, RS422 standard Output current: max 30mA	White
	4	A- output		Gray
	5	B+ output		Green
	6	B- output		Blue
	7	Z+ output		Yellow
	8	Z- output		Orange
	9	E		Shielded wire, connected with ground interface
	10	T1 thermal protection	24V, 20mA	Purple
Blower interface	R	R phase lead wire (blower)	3phase, 380V, 50Hz	Wind direction, blow to shaft end
	S	S phase lead wire (blower)		
	T	T phase lead wire (blower)		
Thermal protection	T1	Motor thermal protection output	Normal closed output: AC 380V. 1A DC 110V. 1A	Normal: closed Overheating: break
	T2			
Ground terminal	E	Ground terminal	ground resistance < 4Ω	

◆ Installation figure(suitable for vertical procession center)



spindle motor power, torque, speed relation formula

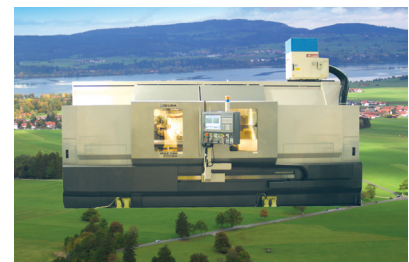
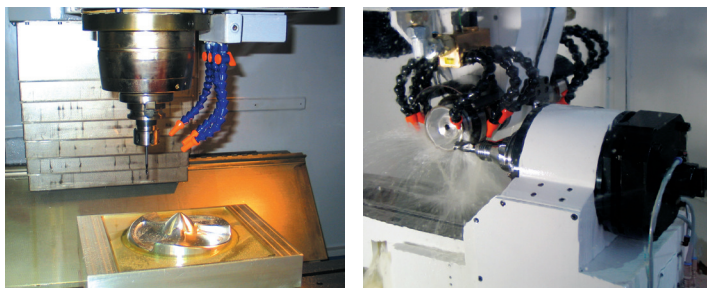
$$P = n \times T / 9550 \text{ (kW)}$$

$$T = P \times 9550 / n \text{ (N} \cdot \text{m)}$$

$$n = P \times 9550 / T \text{ (r/min)}$$

◆ Application area

Widely used in digit control machine tool.
Woodworking machine, textile machinery, printing equipment, dyeing and finishing equipment.
Papermaking equipment...



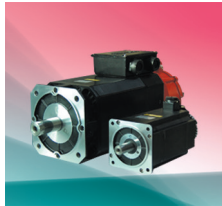
Surpass selfhood
keep pace with the world



OMIN SYSTEM

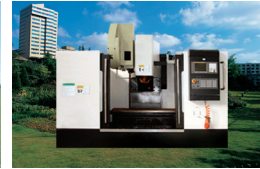


BK SERVICE



CTB MOTOR

PROVIDE THE PERFECT MECHANICAL CONTROL COMBINATION



Beijing CTB servo Co., Ltd

ADD: Xuezhixuan1215, xue qing road No.16,
Haidian district, Beijing.

Tel: 010-82755611

Fax: 010-82755610

Postcode: 100083

24 hours free hotline: 400-888-9055

<http://www.ctb.com.cn>

